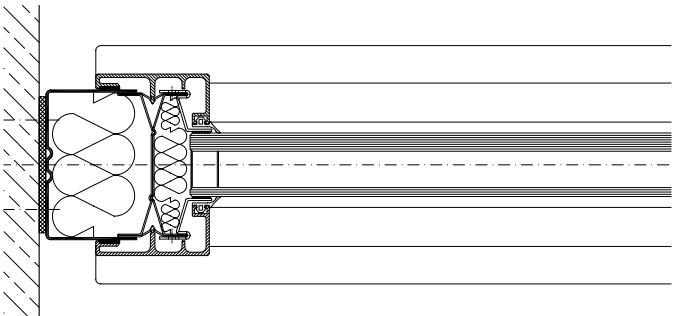
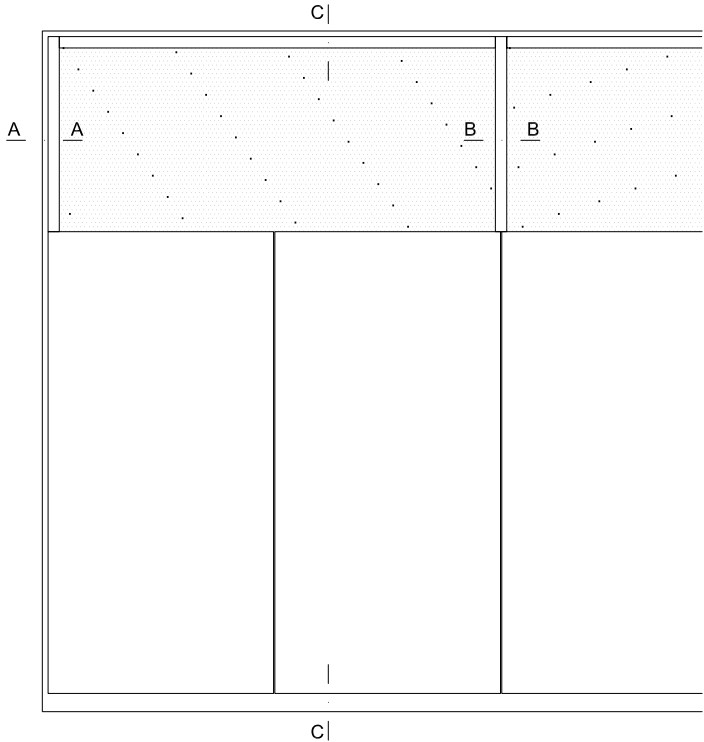
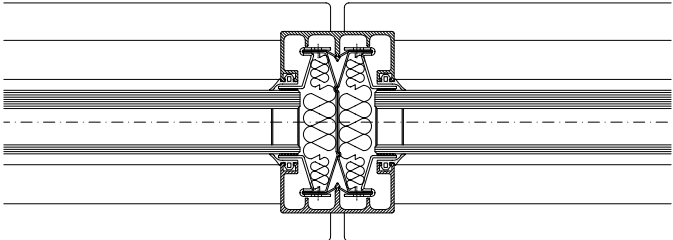


Top glazing fecopur G30

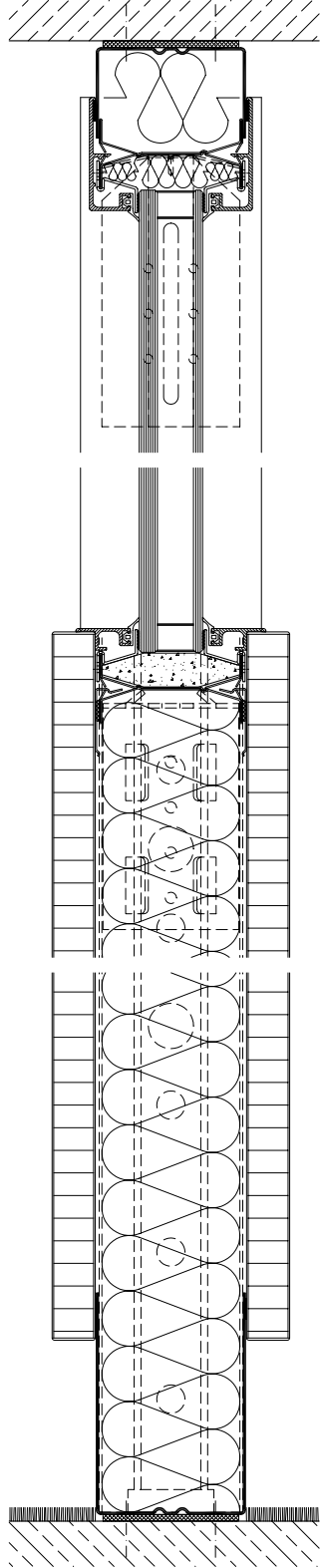
Posts- and traverses structure with insulation glass 28 mm
max. dimension of glass W/H = 2.050/1.135 mm
Fire resistance G30 / DIN 4102
Sound insulation $R_{w,P} = 40-43$ dB



section A - A



section B - B



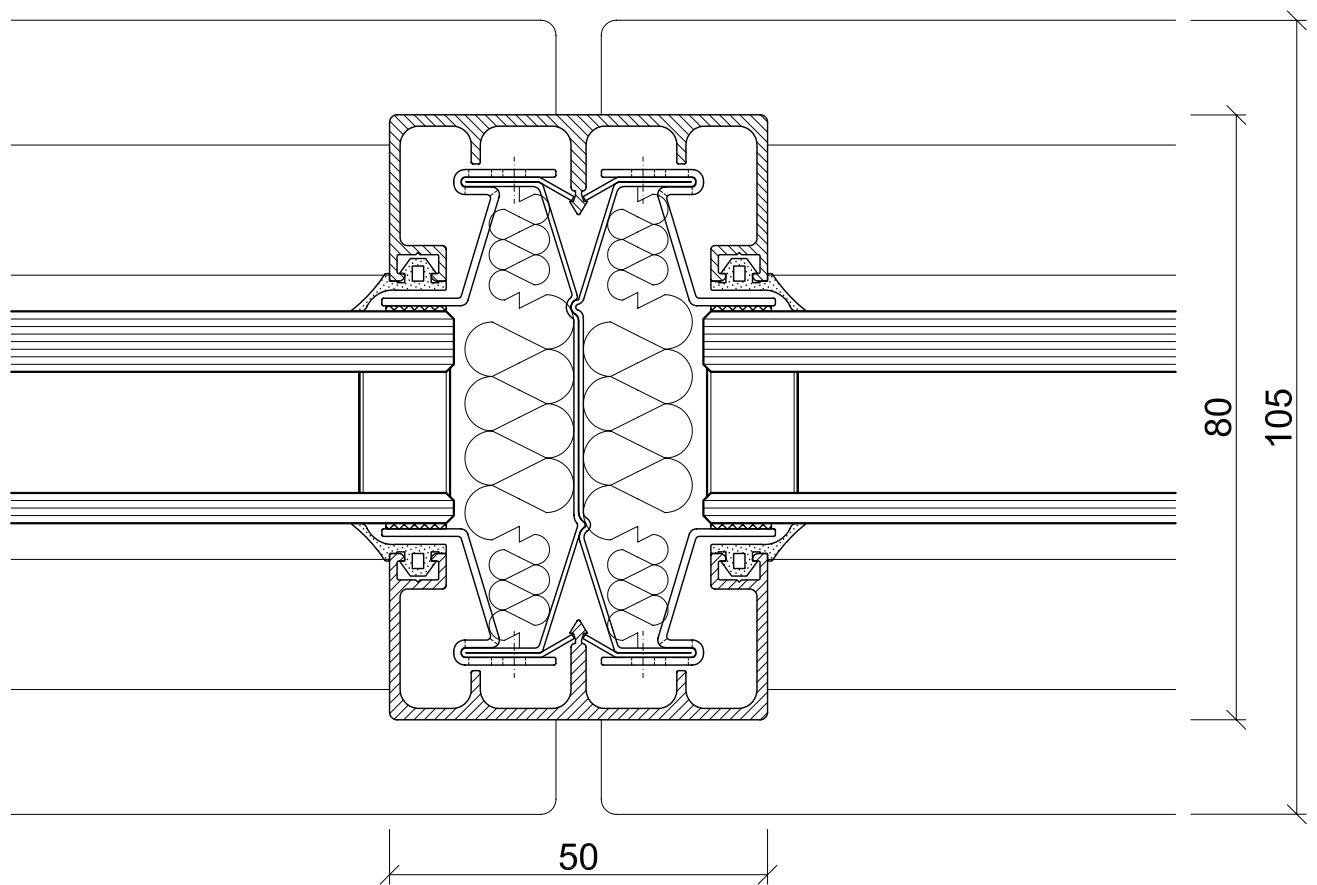
section C - C

scale ~1:3

FP-G30-AN.1

Top glazing fecopur G30

Horizontal section (post)
standard upright

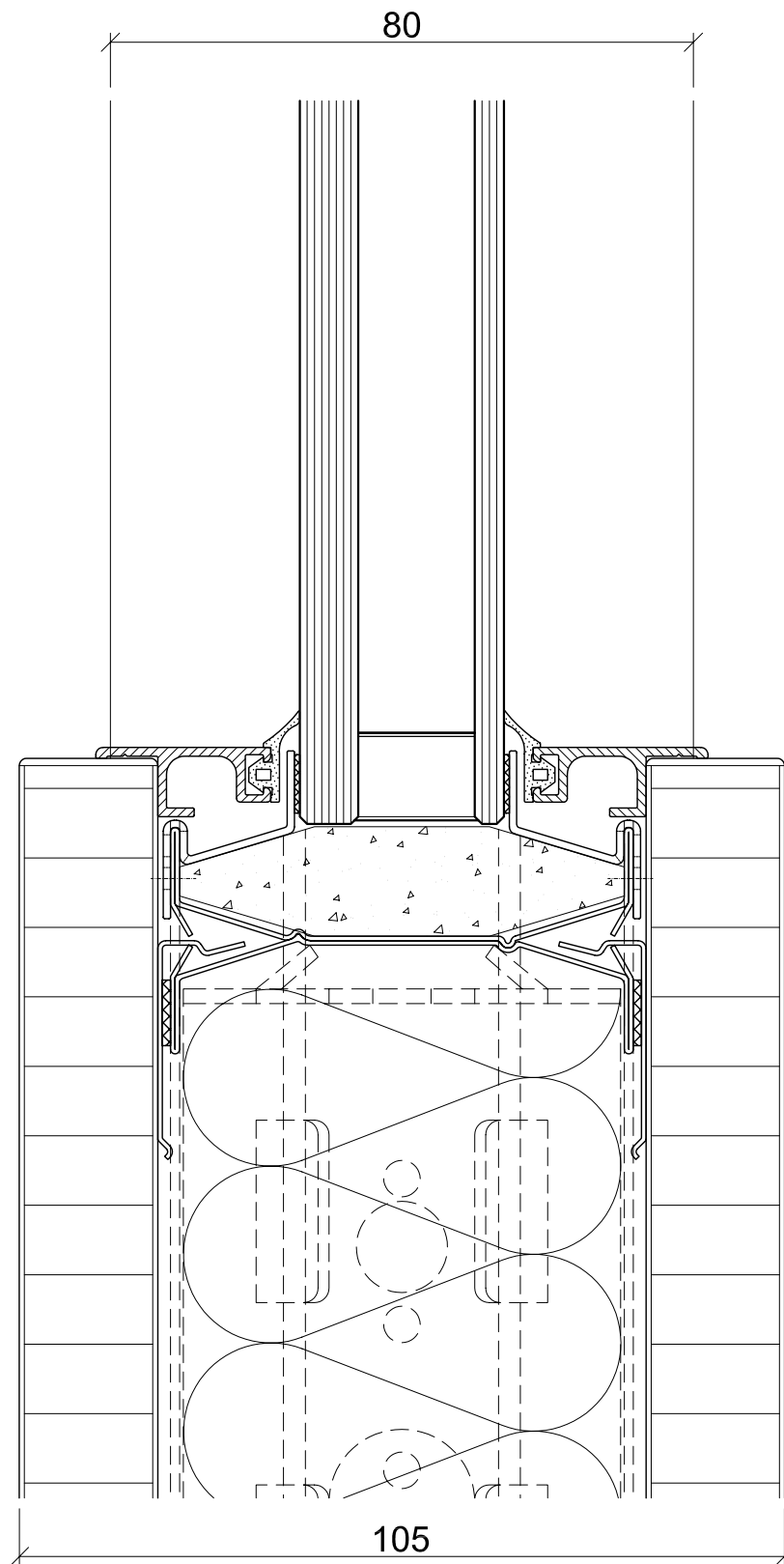


scale 1:1

FP-G30-MF.1

Top glazing fecopur G30

Vertical section

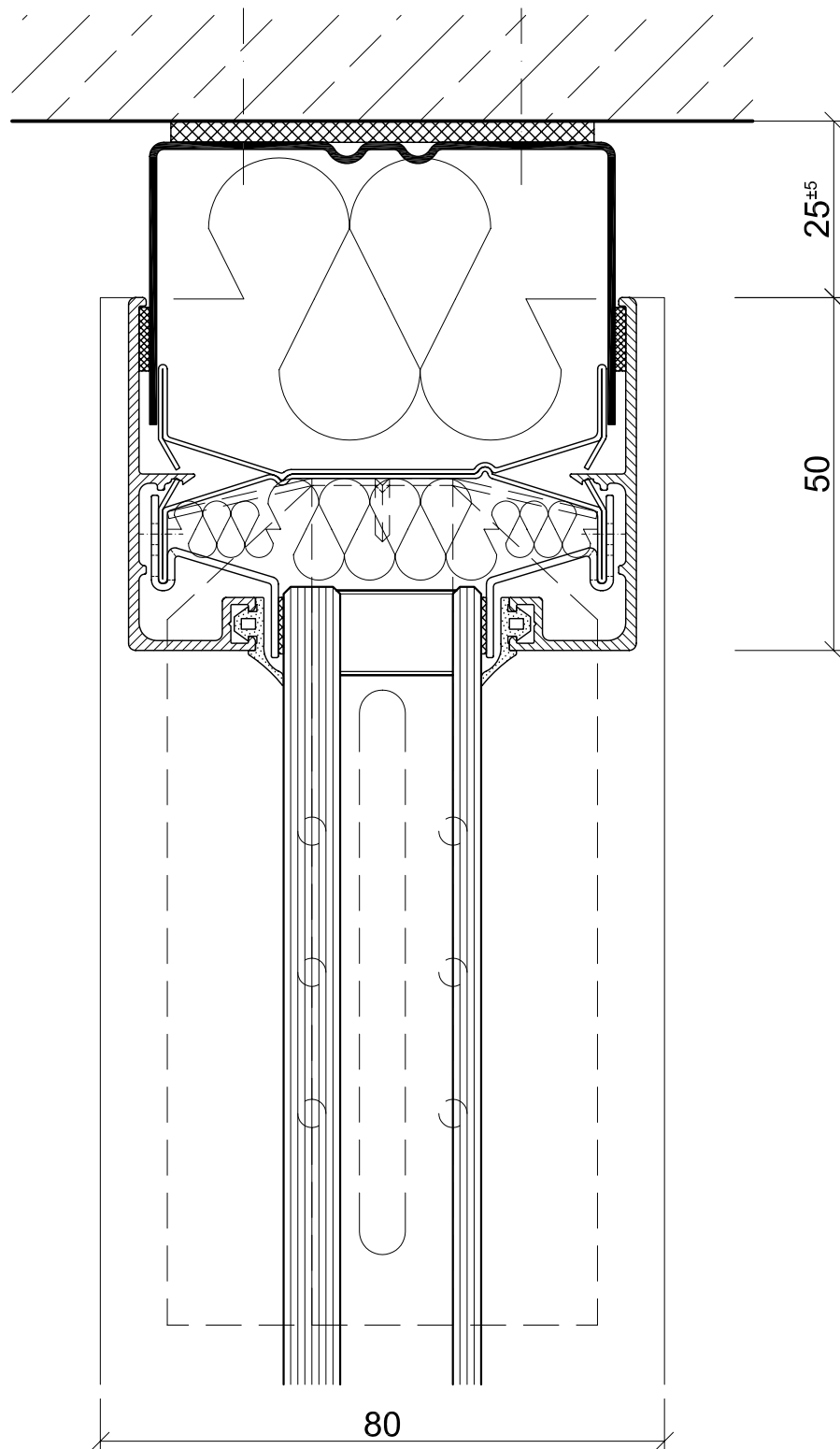


scale 1:1

FP-G30-HF.1

Top glazing fecopur G30

Top

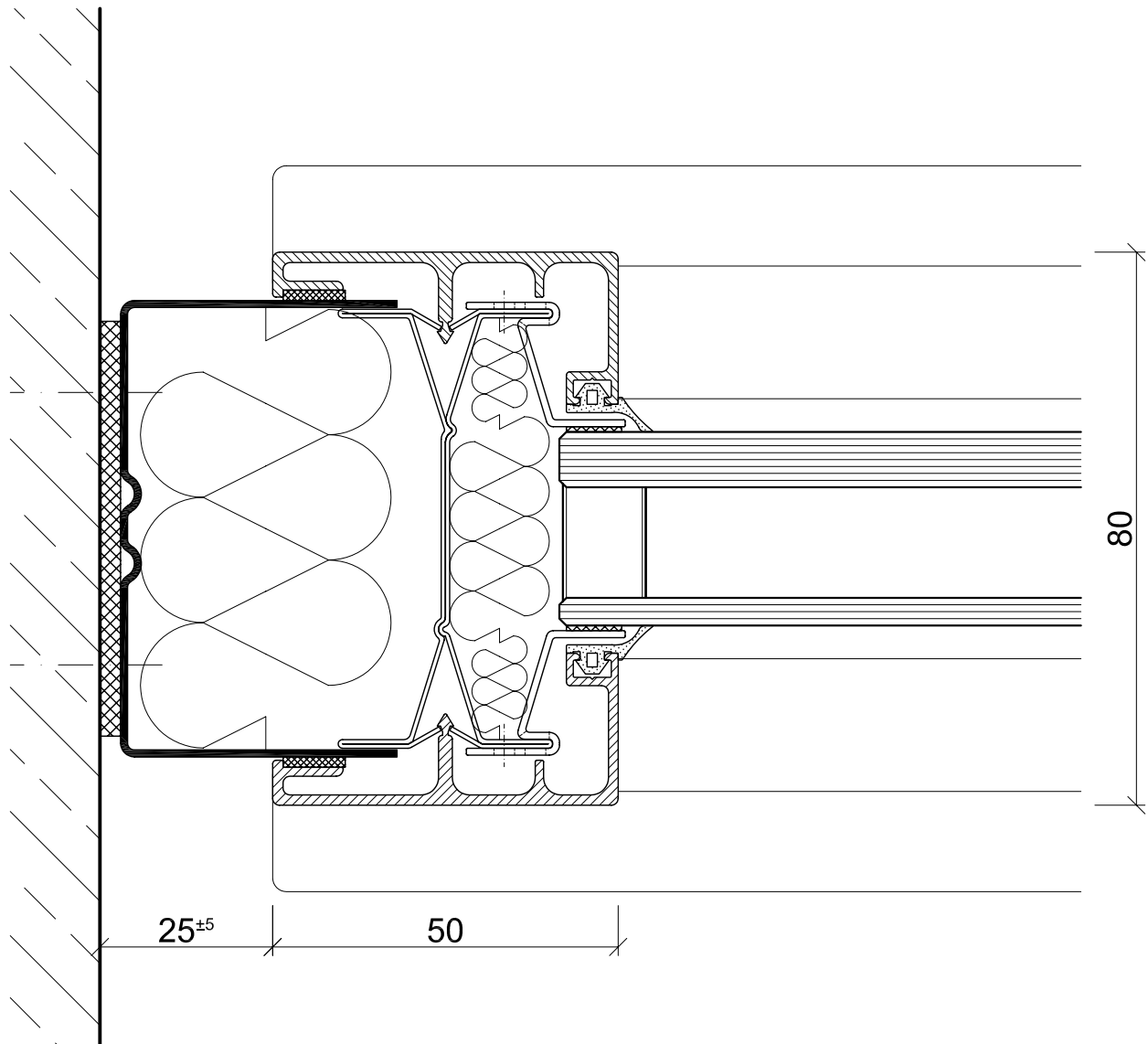


scale 1:1

FP-G30-DA.1

Top glazing fecopur G30

Wall abutment

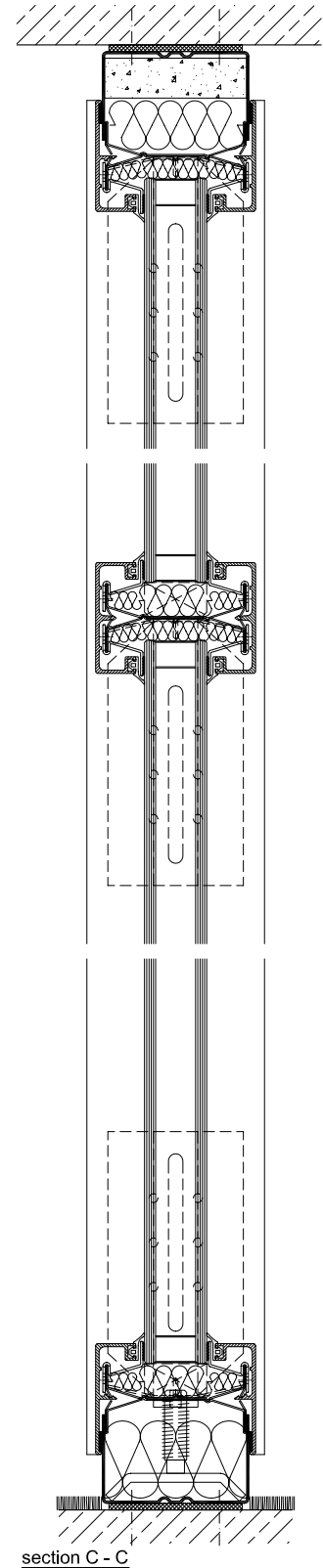
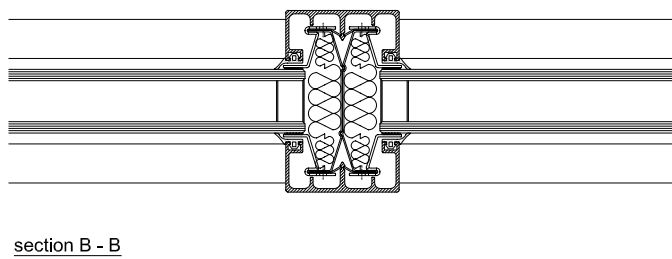
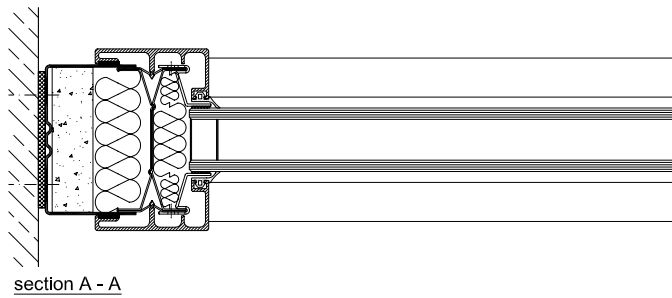
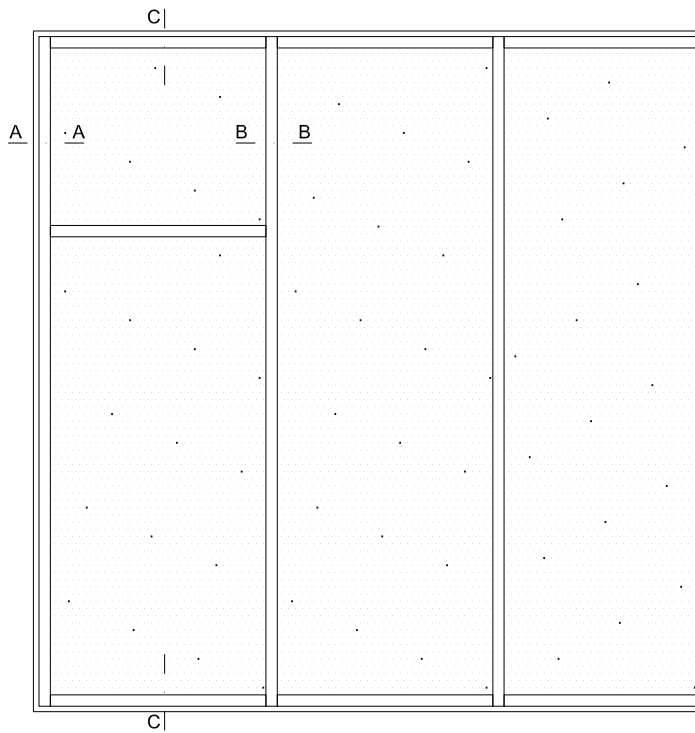


scale 1:1

FP-G30-WA.1

Glass wall fecopur F30

Posts- and traverses structure with insulation glass 28 mm
max. dimension of glass W/H = 1.350/3.000 mm
Fire resistance F30 according to DIN 4102
Sound insulation $R_{w,P} = 40-42$ dB

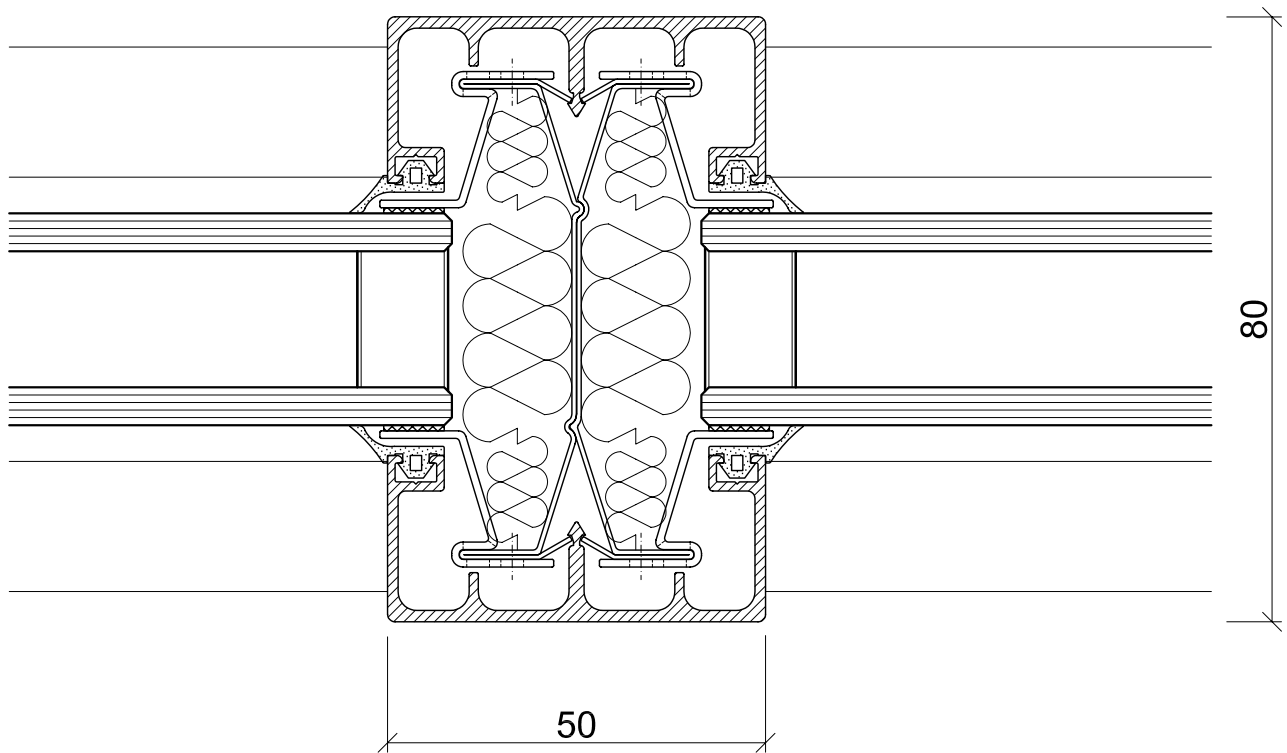


scale ~1:3

FP-F30-AN.1

Glass wall fecopur F30

Horizontal section (post)
standard upright

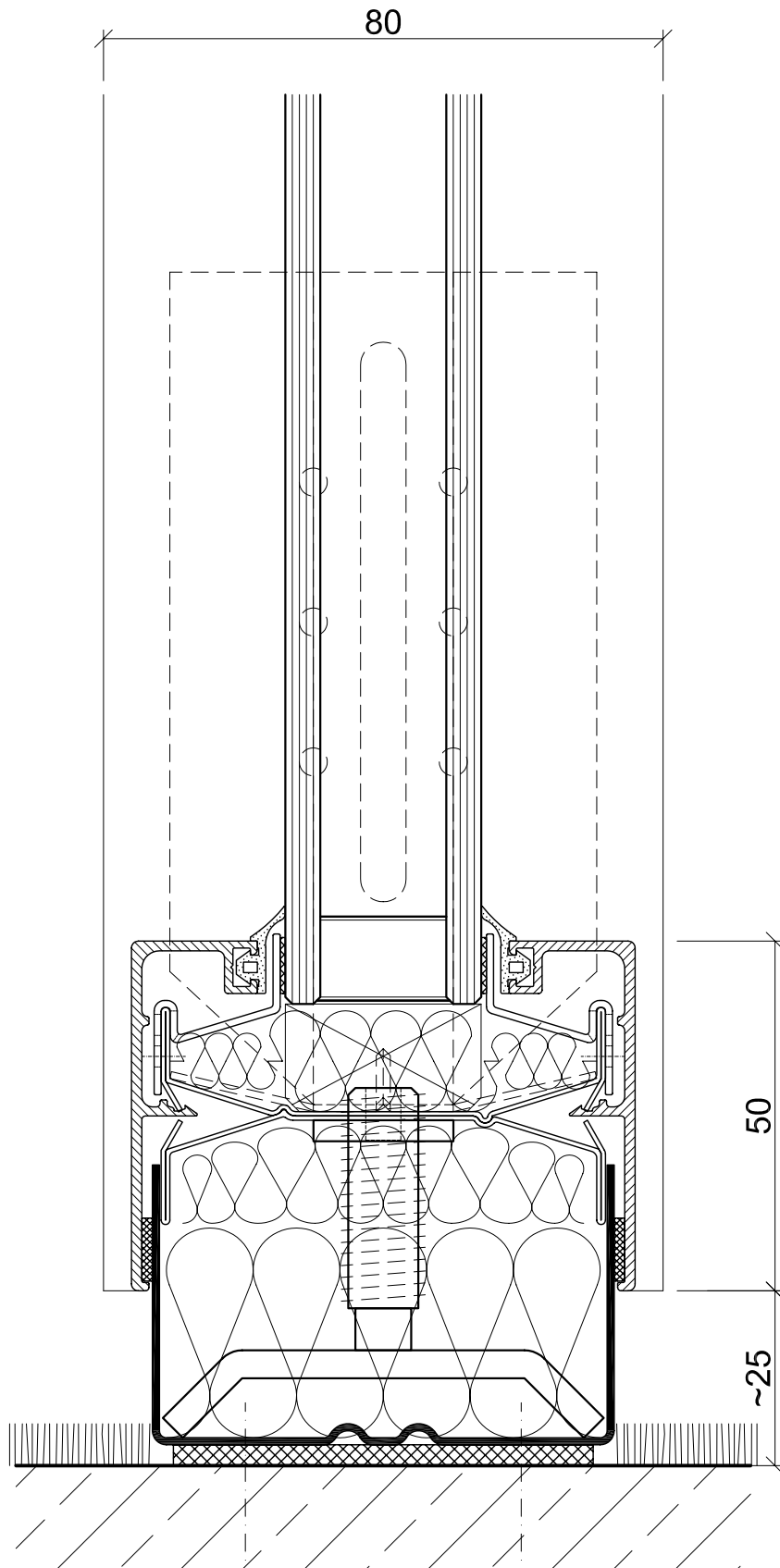


scale 1:1

FP-F30-MF.1

Glass wall fecopur F30

Bottom

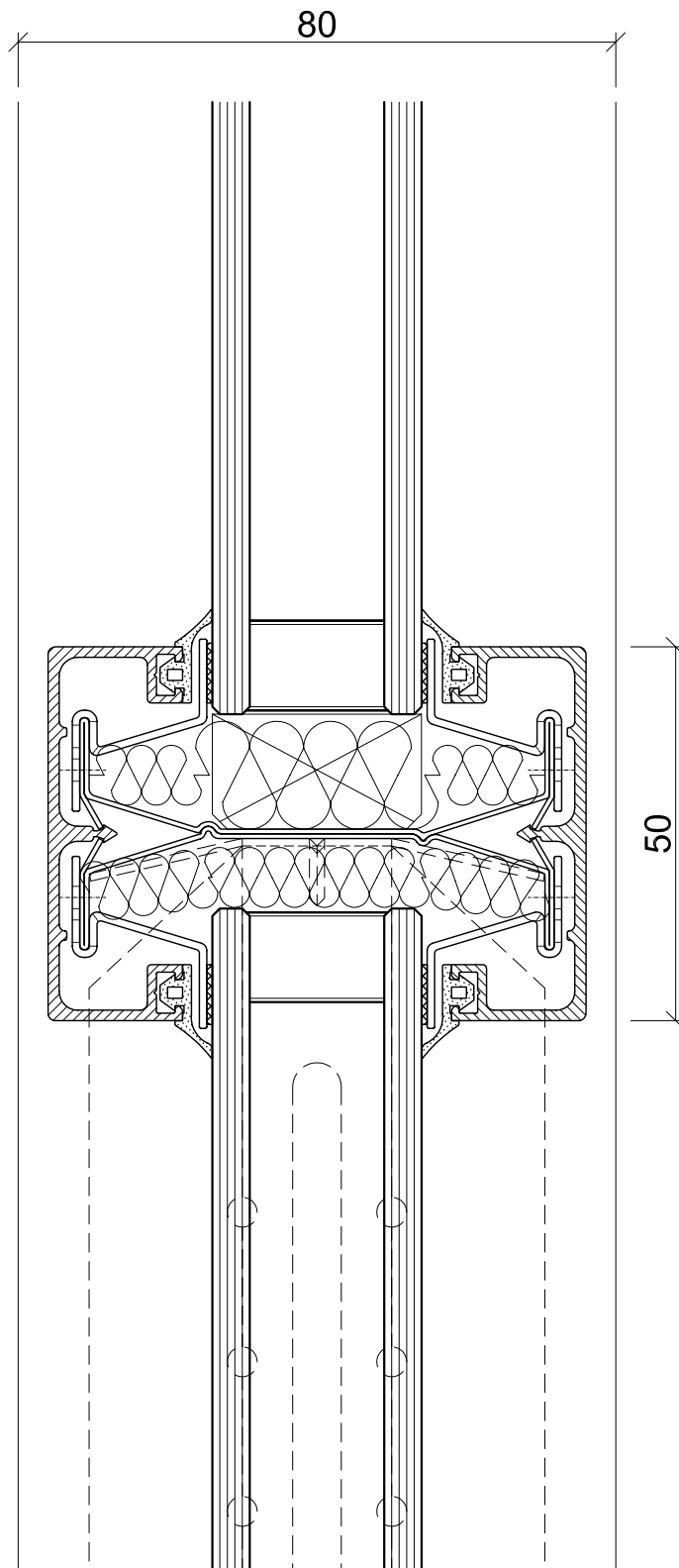


scale 1:1

FP-F30-BA.1

Glass wall fecopur F30

Vertical section (traverse)

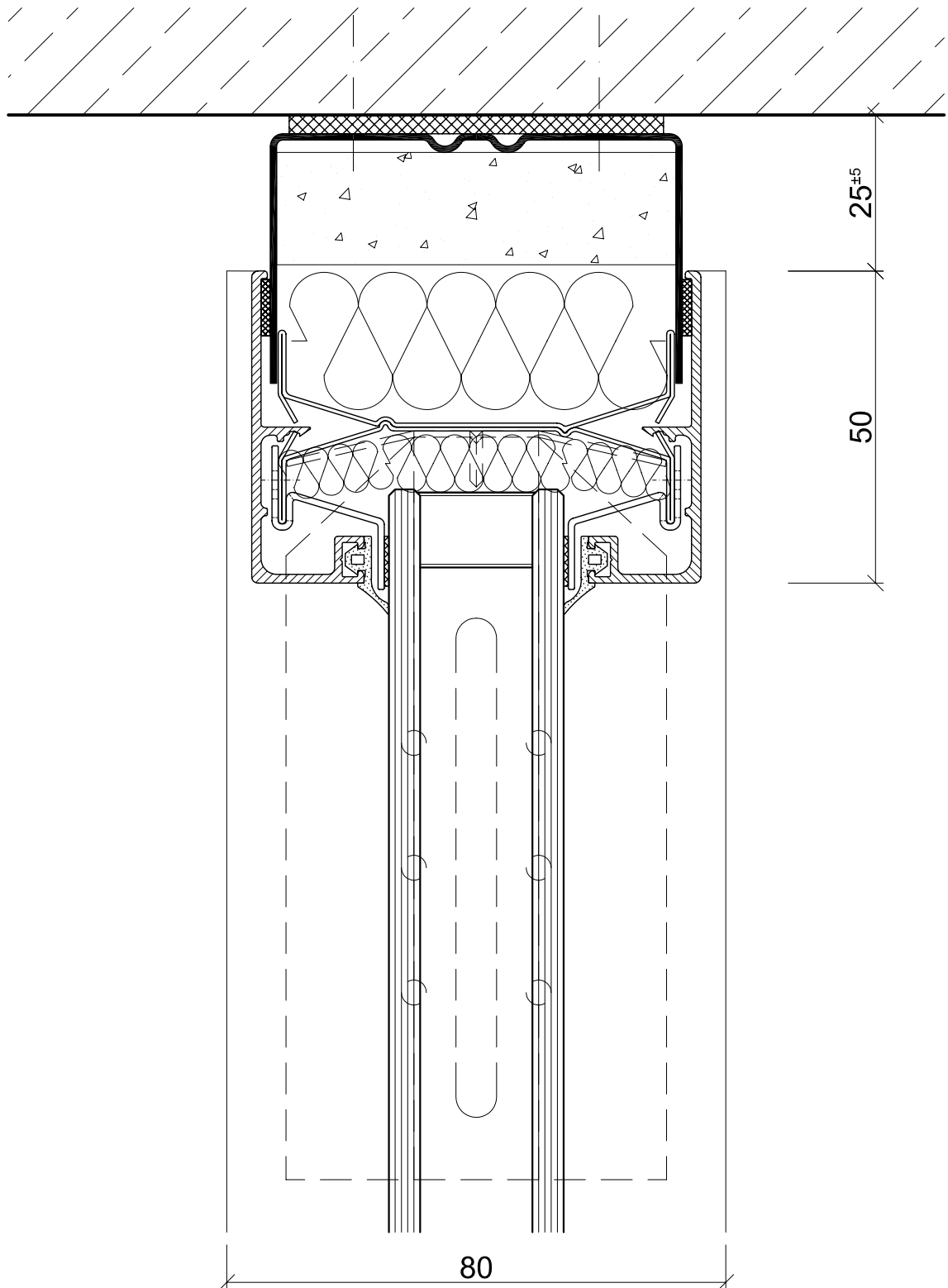


scale 1:1

FP-F30-HF.1

Glass wall fecopur F30

Top

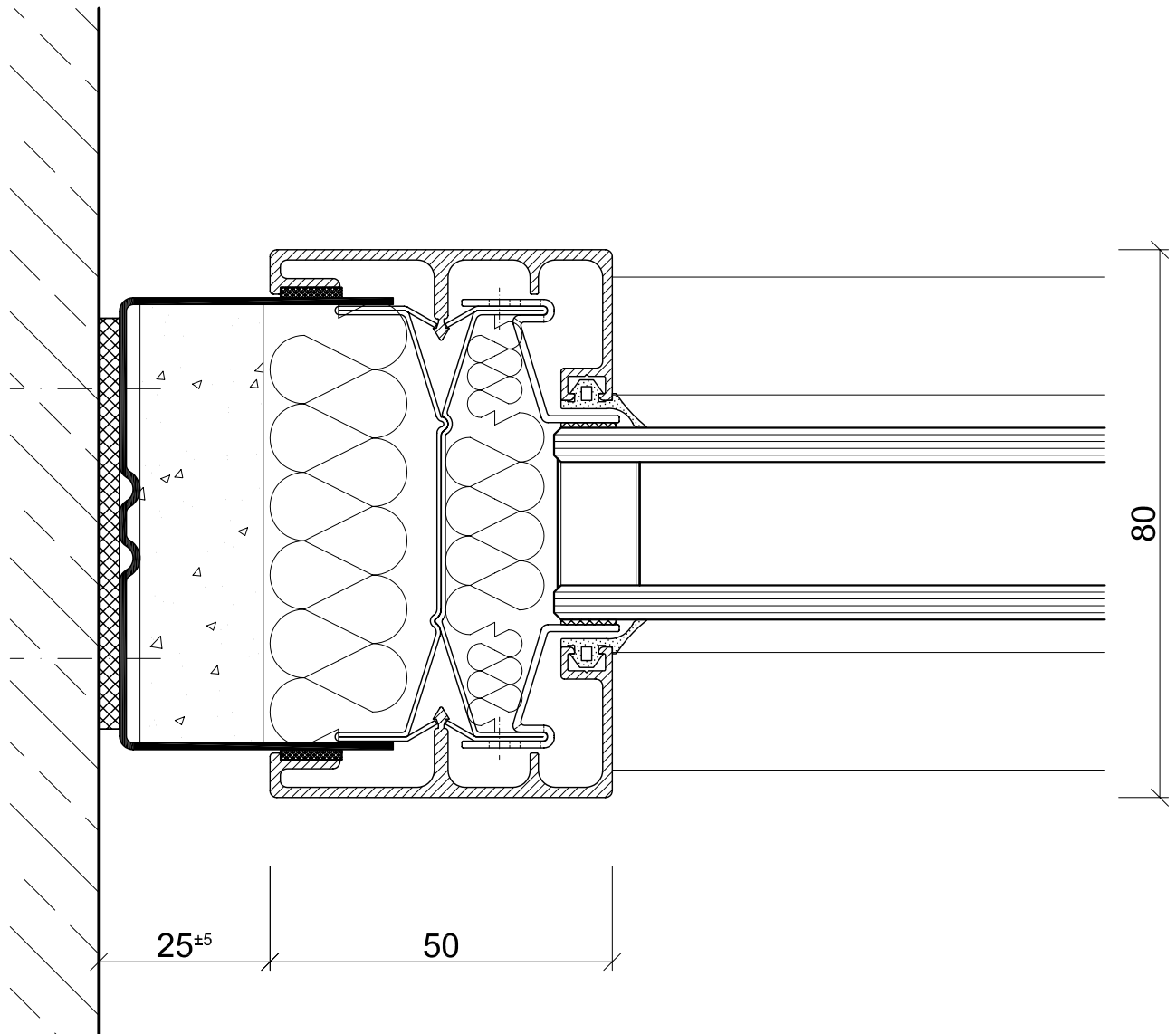


scale 1:1

FP-F30-DA.1

Glass wall fecopur F30

Wall abutment



scale 1:1

FP-F30-WA.1