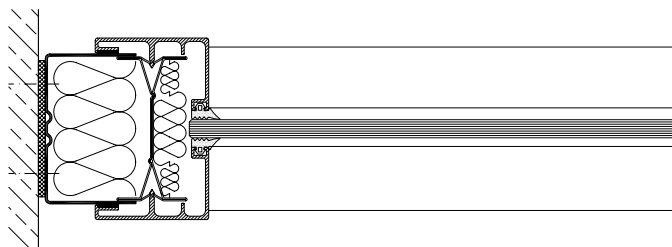
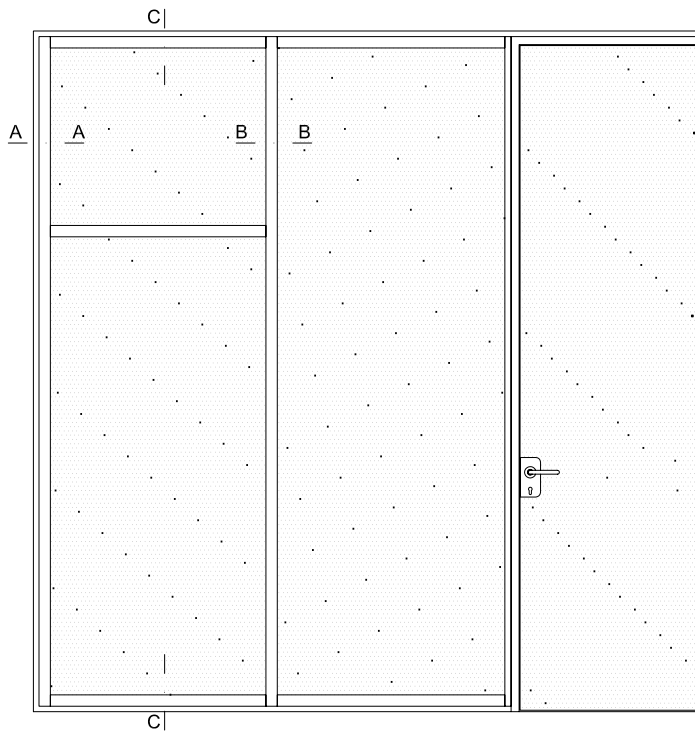
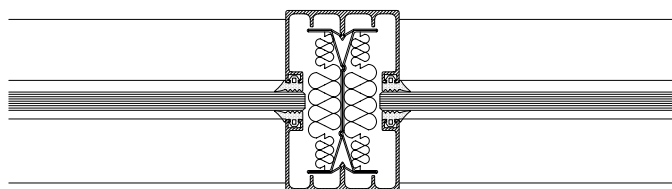


Glass wall fecopur 8 mm

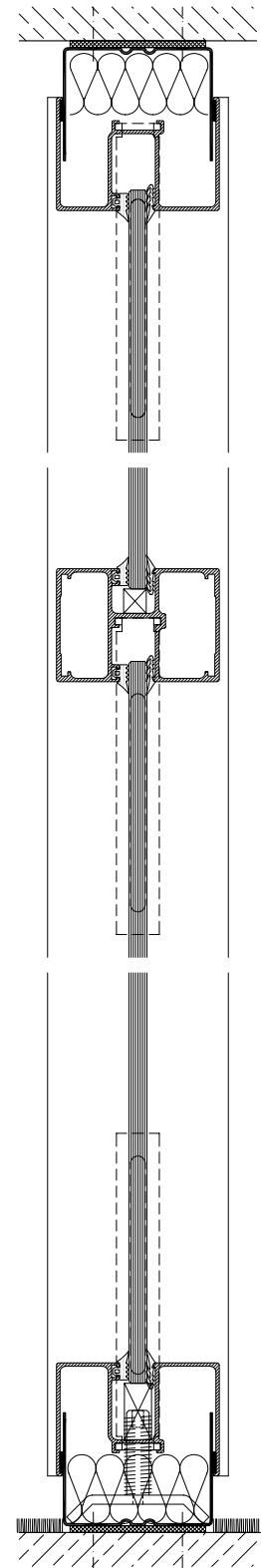
Posts- and traverses structure with single glass 8 mm
Width of frame 50 mm, wall thickness 80 mm
Sound insulation $R_{w,P} = 32-37$ dB



section A - A



section B - B



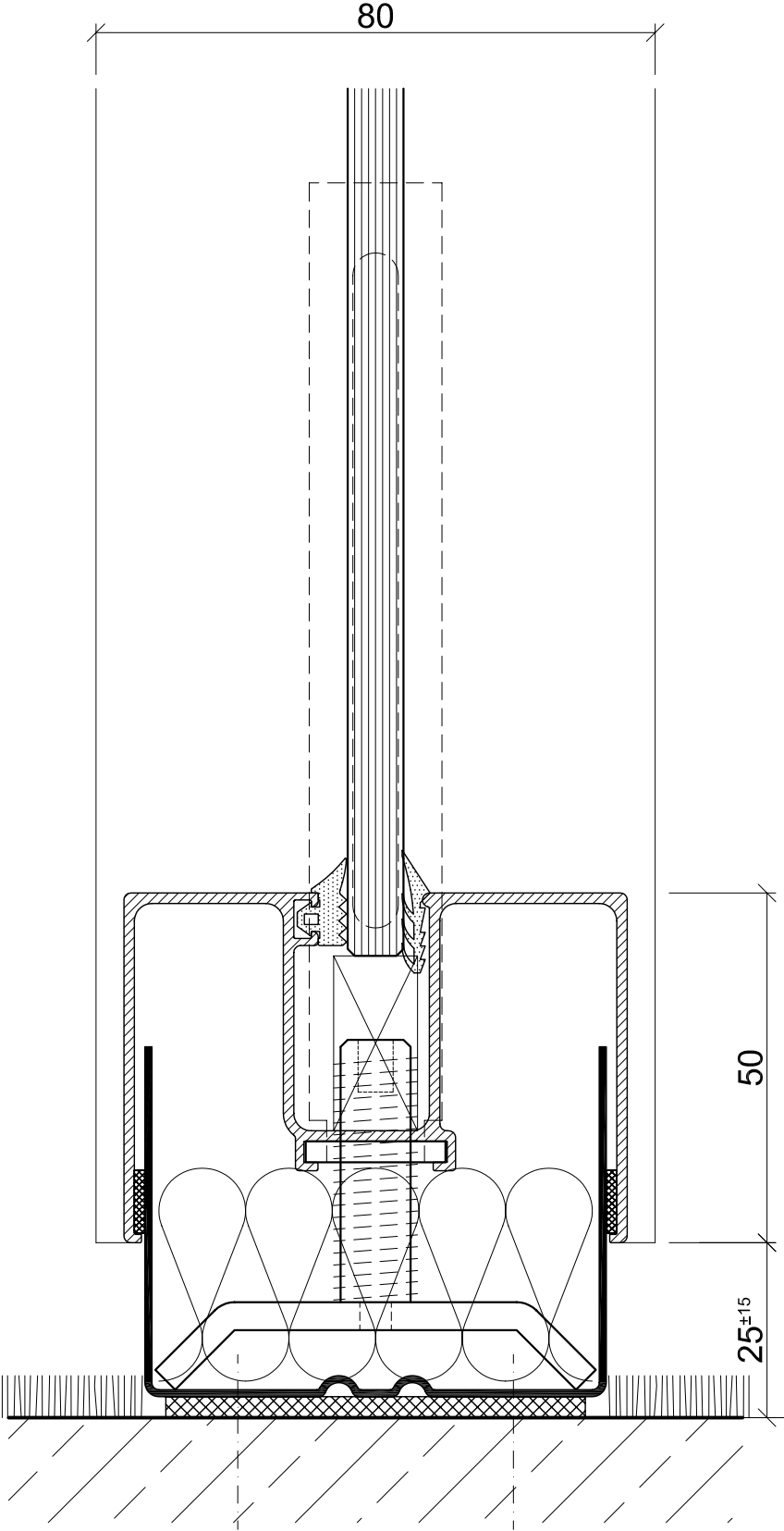
section C - C

scale ~1:3

FP-GG8-AN.1

Glass wall fecopur 8 mm

Bottom

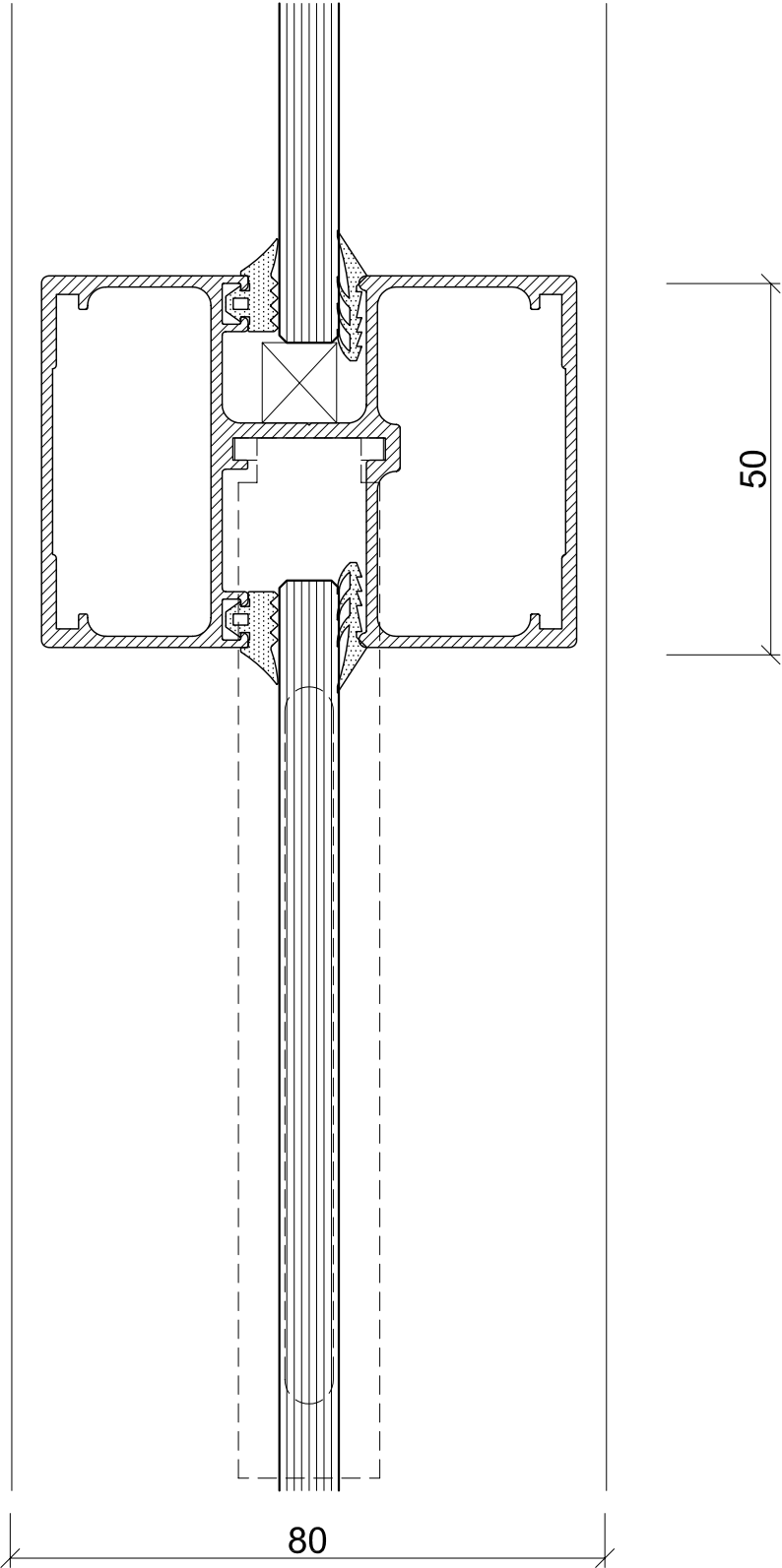


scale 1:1

FP-GG8-BA.1

Glass wall fecopur 8 mm

Vertical section (traverse)

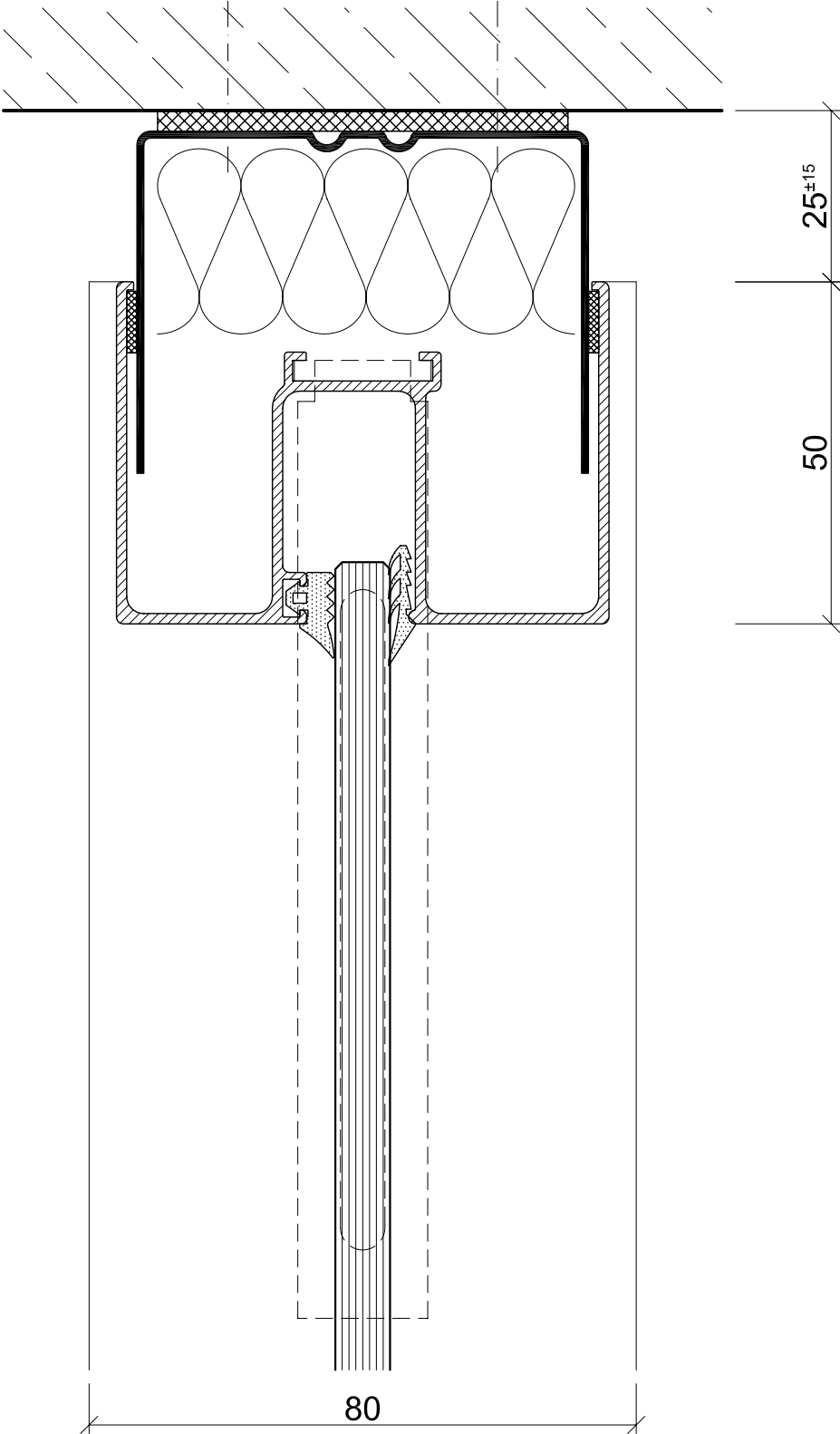


scale 1:1

FP-GG8-HF.1

Glass wall fecopur 8 mm

Top

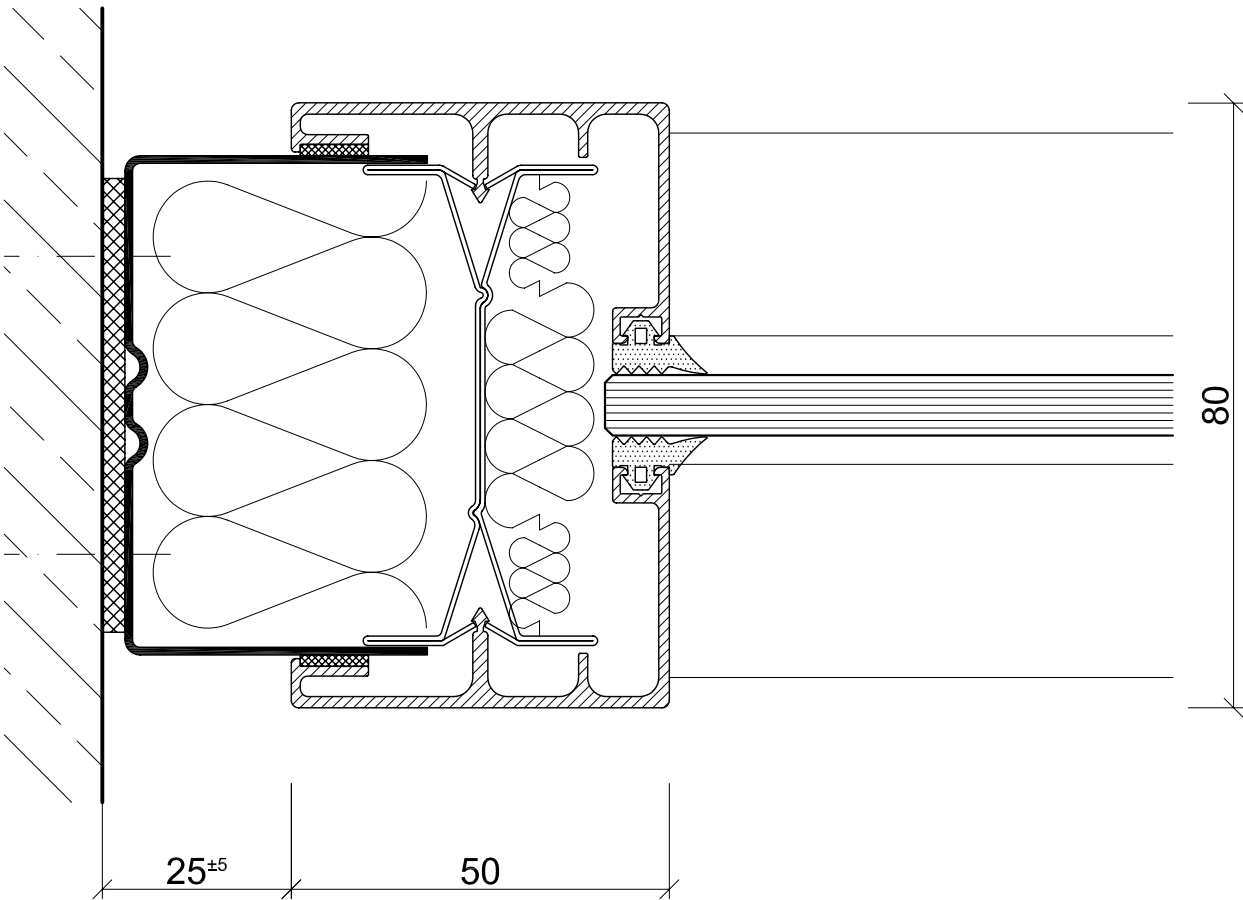


scale 1:1

FP-GG8-DA.1

Glass wall fecopur 8 mm

Wall abutment

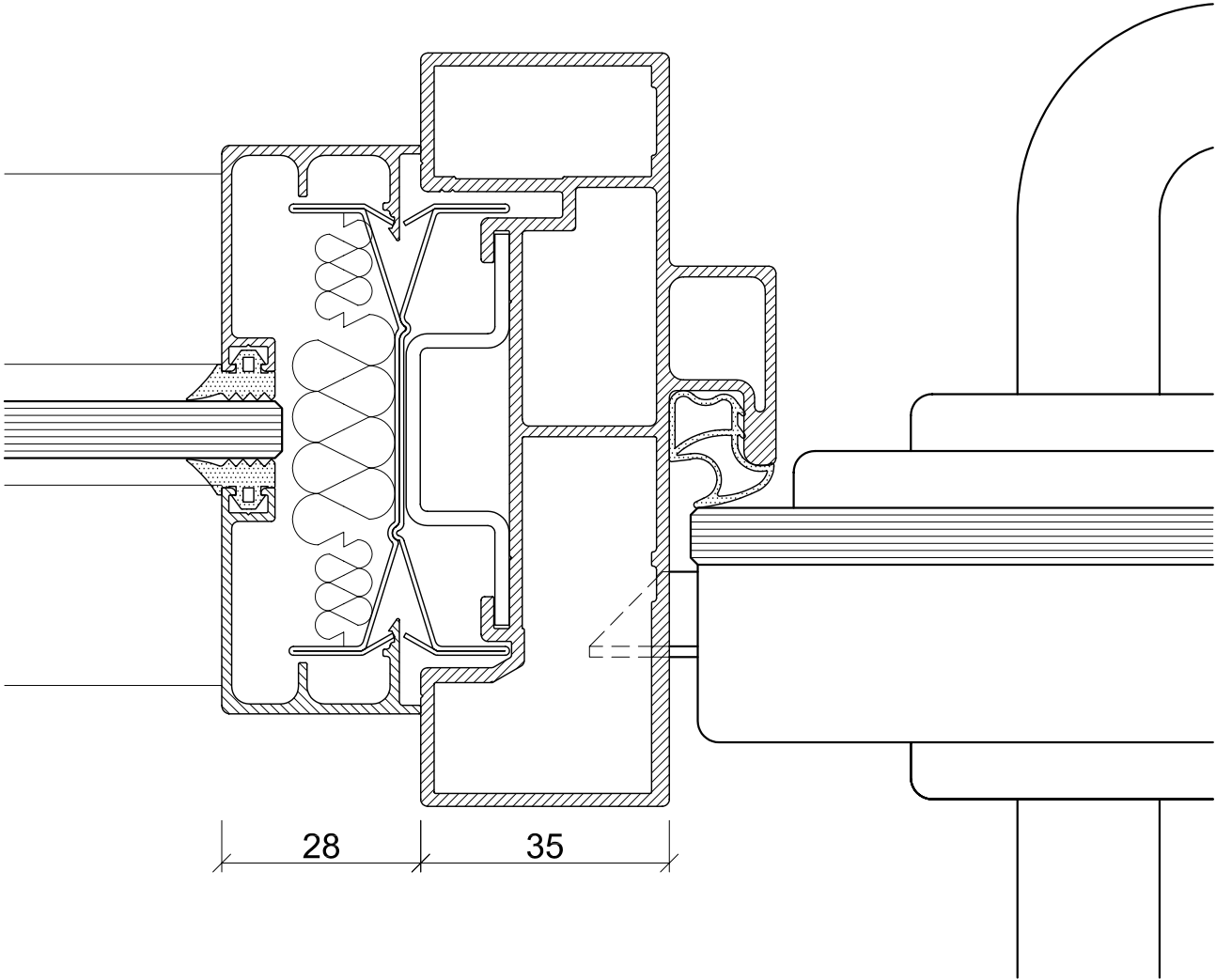


scale 1:1

FP-GG8-WA.1

Glass wall fecopur 8 mm

Connection to door unit (half post)

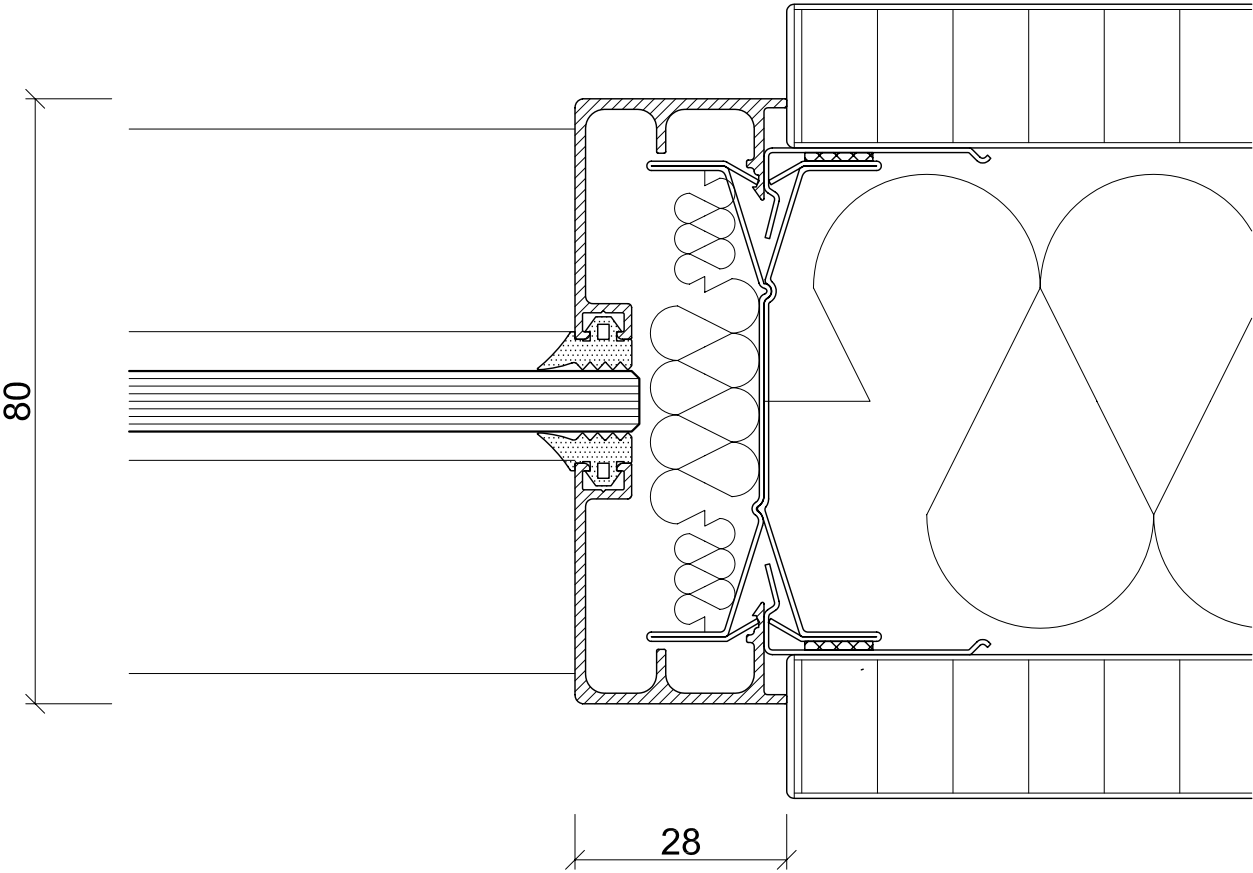


scale 1:1

FP-GG8-MF.2

Glass wall fecopur 8 mm

Connection to solid wall (half post)

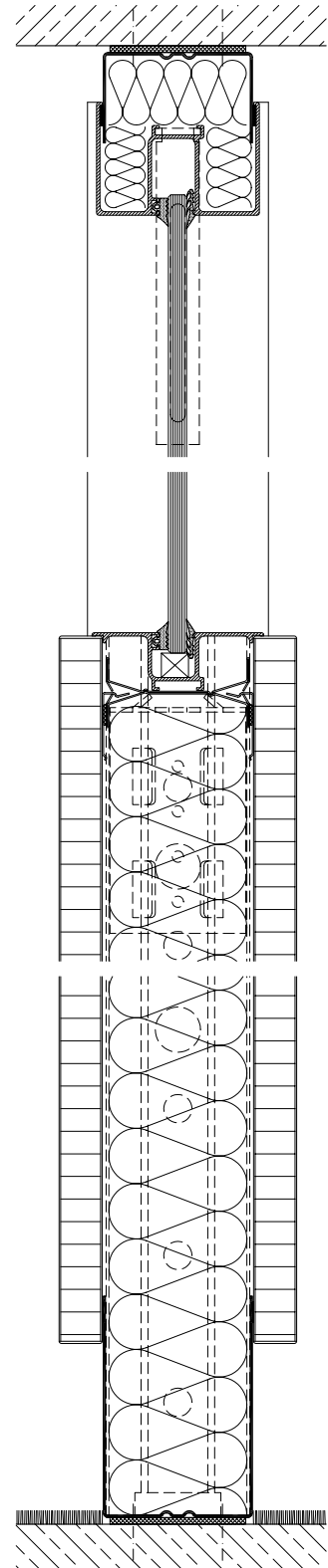
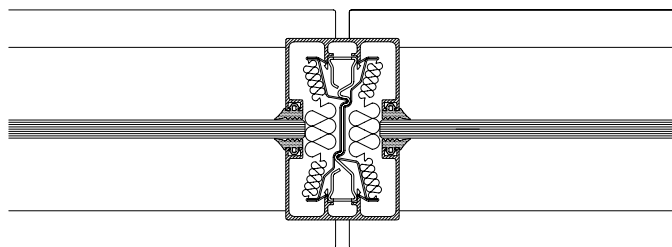
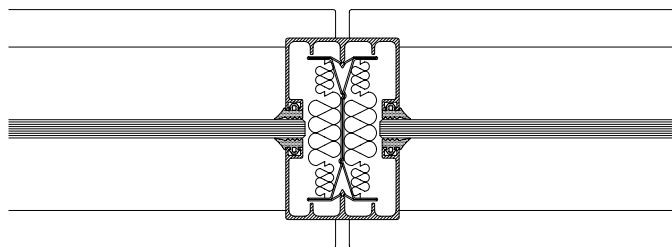
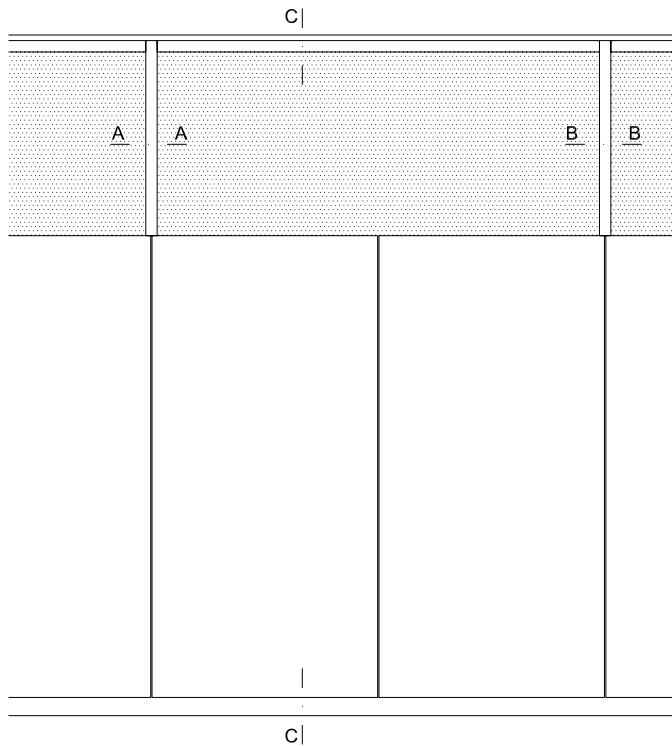


scale 1:1

FP-GG8-MF.3

Top glazing fecopur 8 mm

Posts- and traverses structure with single glass 8 mm
Width of post 50 mm, wall thickness 105/80 mm
with standard or slotted upright
Sound insulation $R_{w,P} = 37-40$ dB

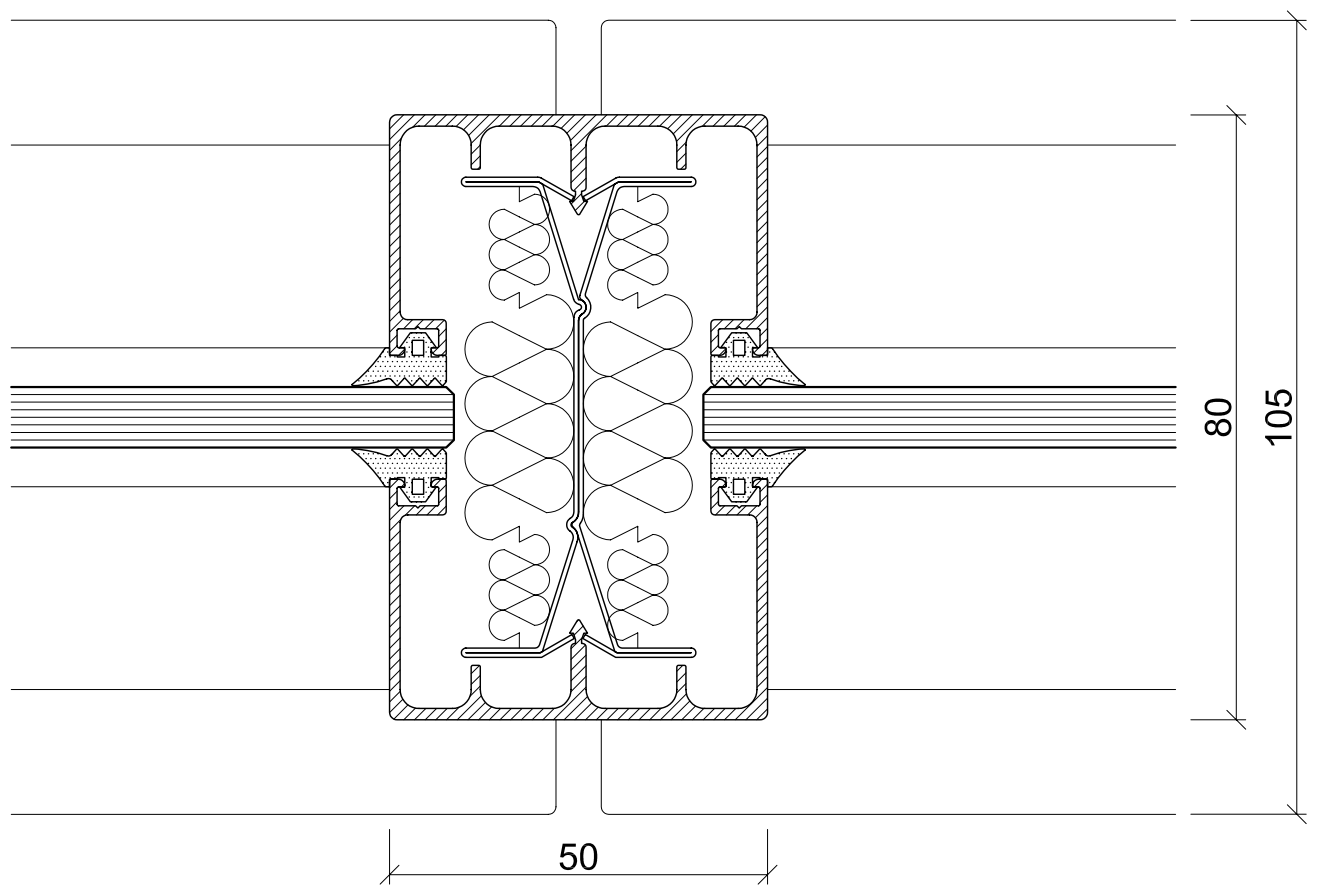


scale ~1:3

FP-OL8-AN.1

Top glazing fecopur 8 mm

Horizontal section (post)
standard upright

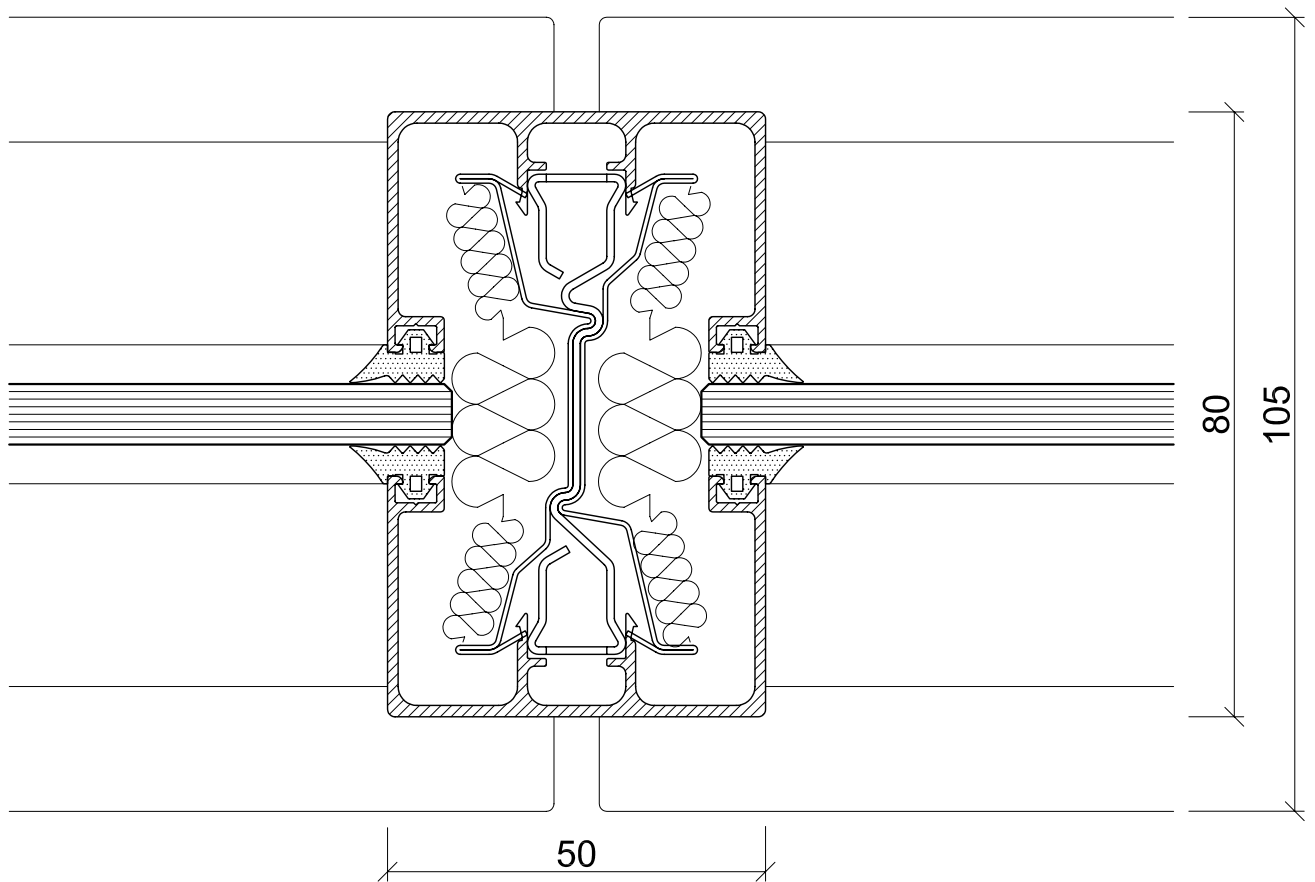


scale 1:1

FP-OL8-MF.1

Top glazing fecopur 8 mm

Horizontal section (post)
slotted upright

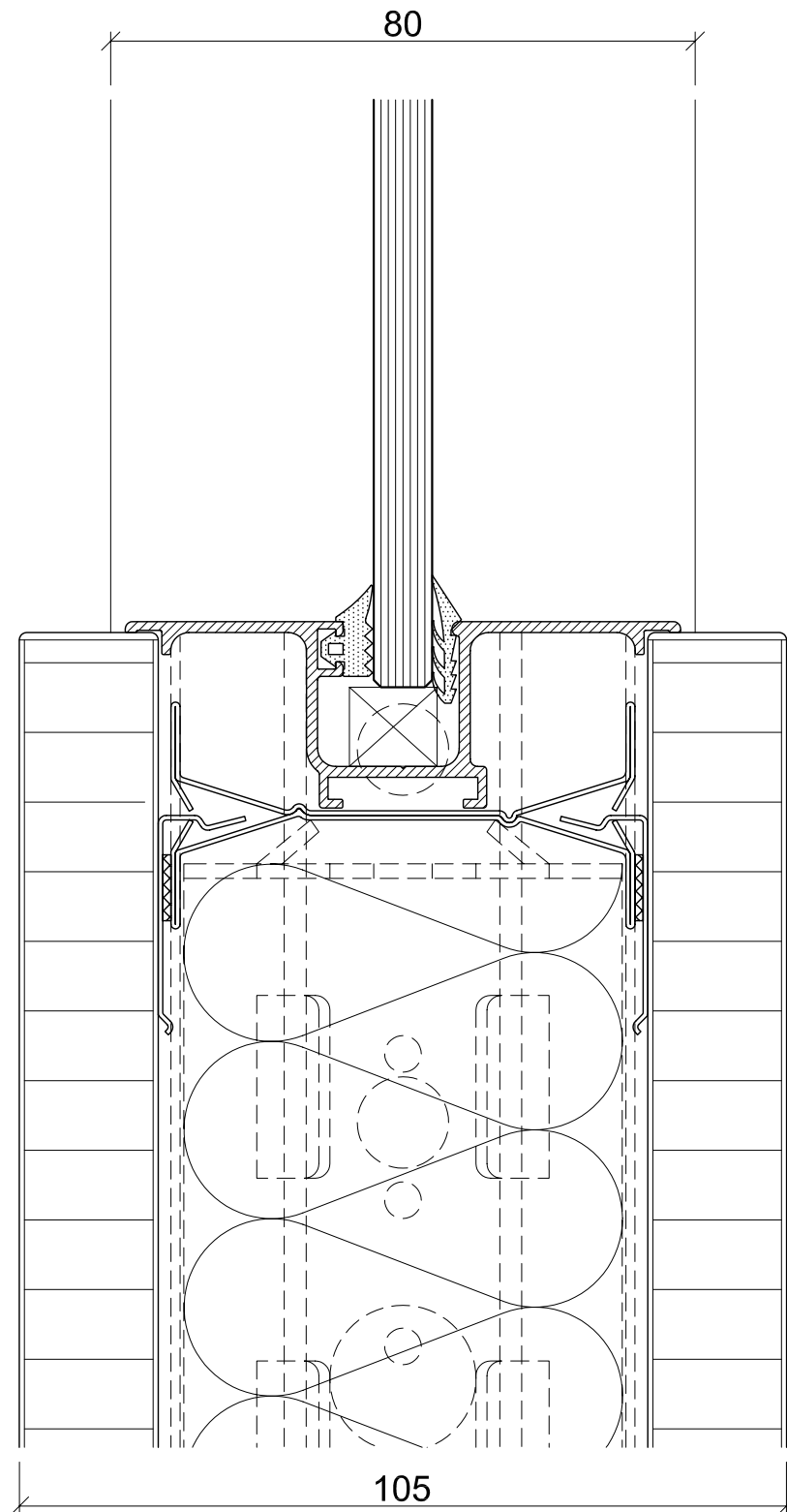


scale 1:1

FP-OL8-MF.2

Top glazing fecopur 8 mm

Vertical section

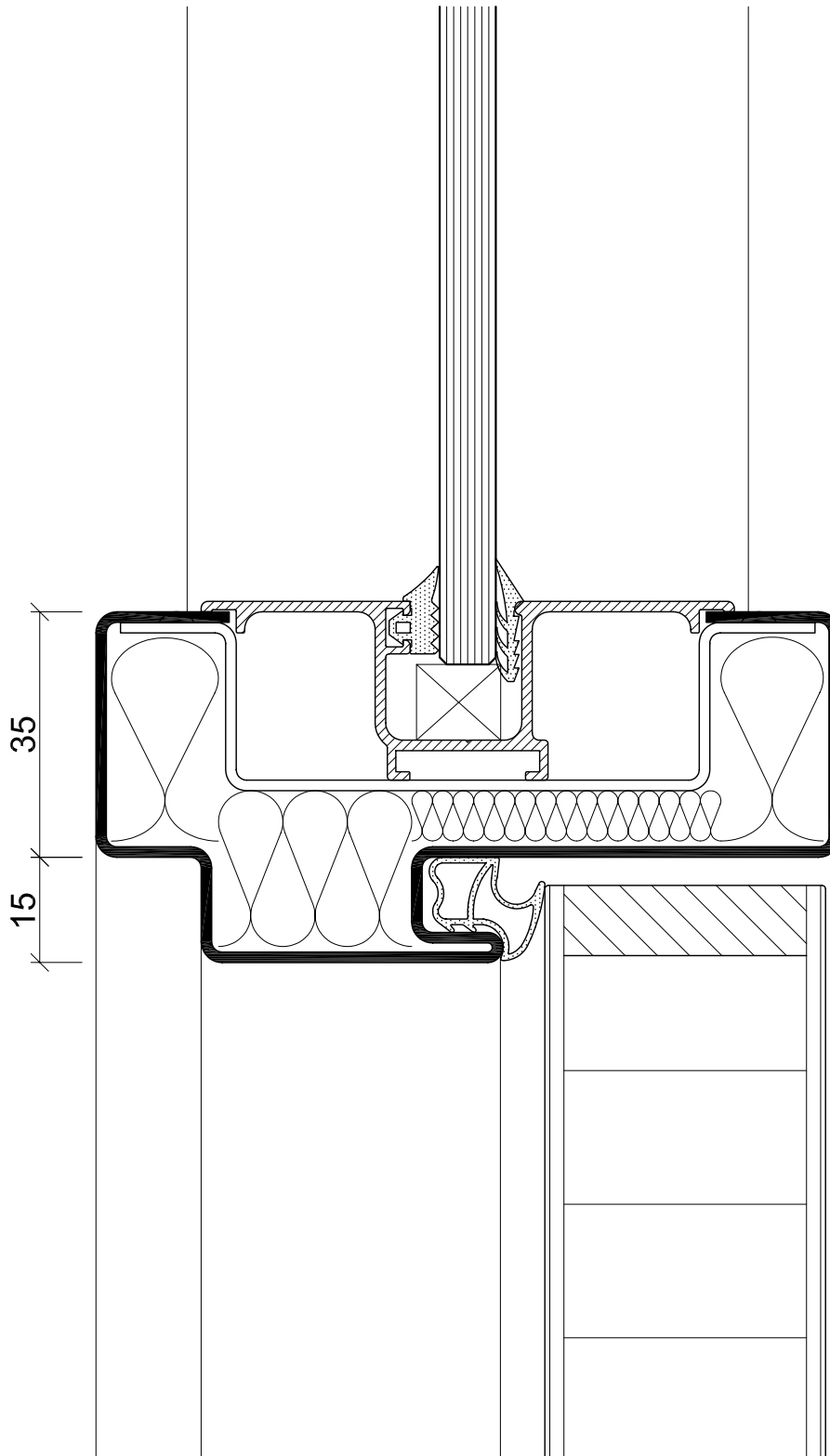


scale 1:1

FP-OL8-HF.1

Top glazing fecopur 8 mm

Door unit / top glazing
Steel door frame 35/35 mm

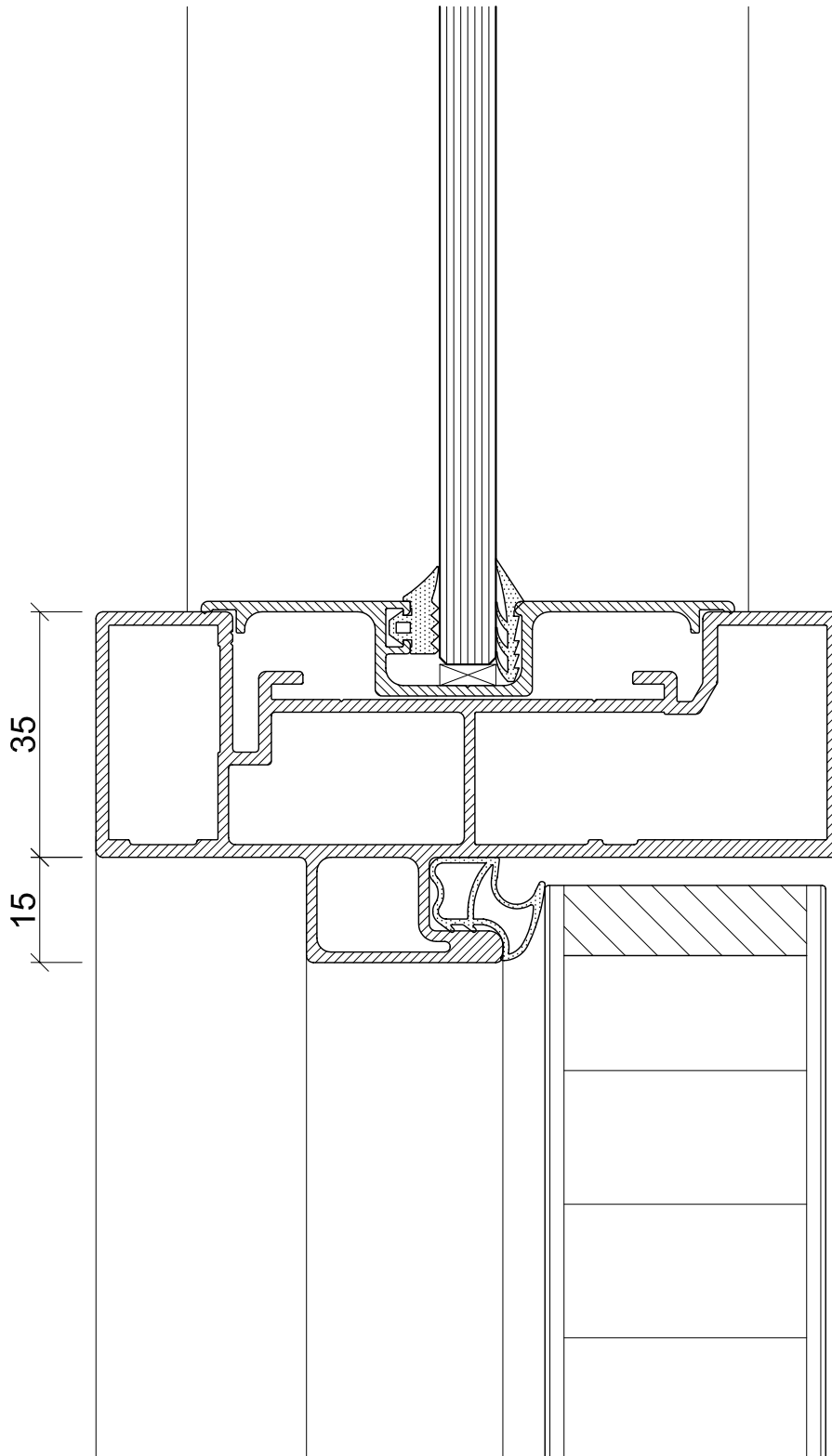


scale 1:1

FP-OL8-HF.2

Top glazing fecopur 8 mm

Door unit / top glazing
Aluminium door frame 35/35 mm



scale 1:1

FP-OL8-HF.3