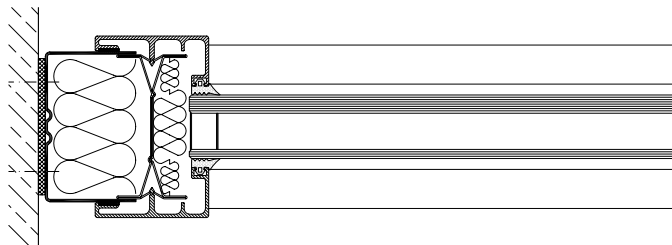
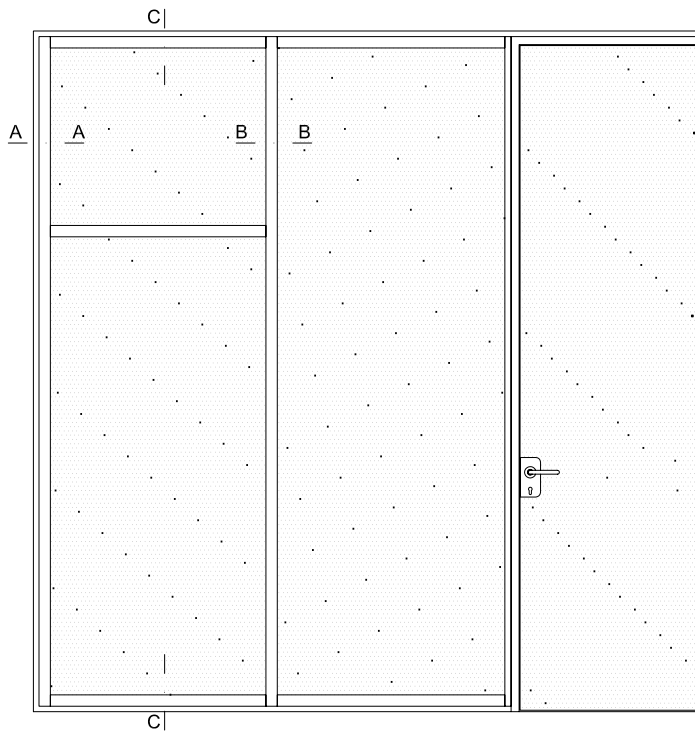
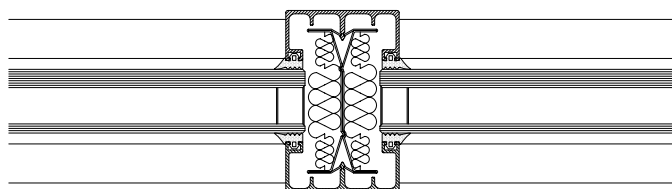


Glass wall fecopur 28 mm

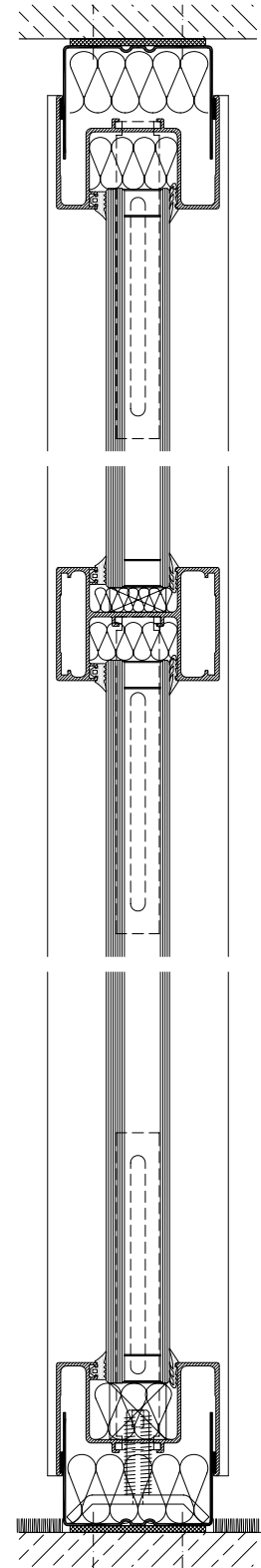
Posts- and traverses structure with insulation glass 28 mm
Width of frame 50 mm, wall thickness 80 mm
Sound insulation $R_{w,P} = 39-42$ dB



section A - A



section B - B



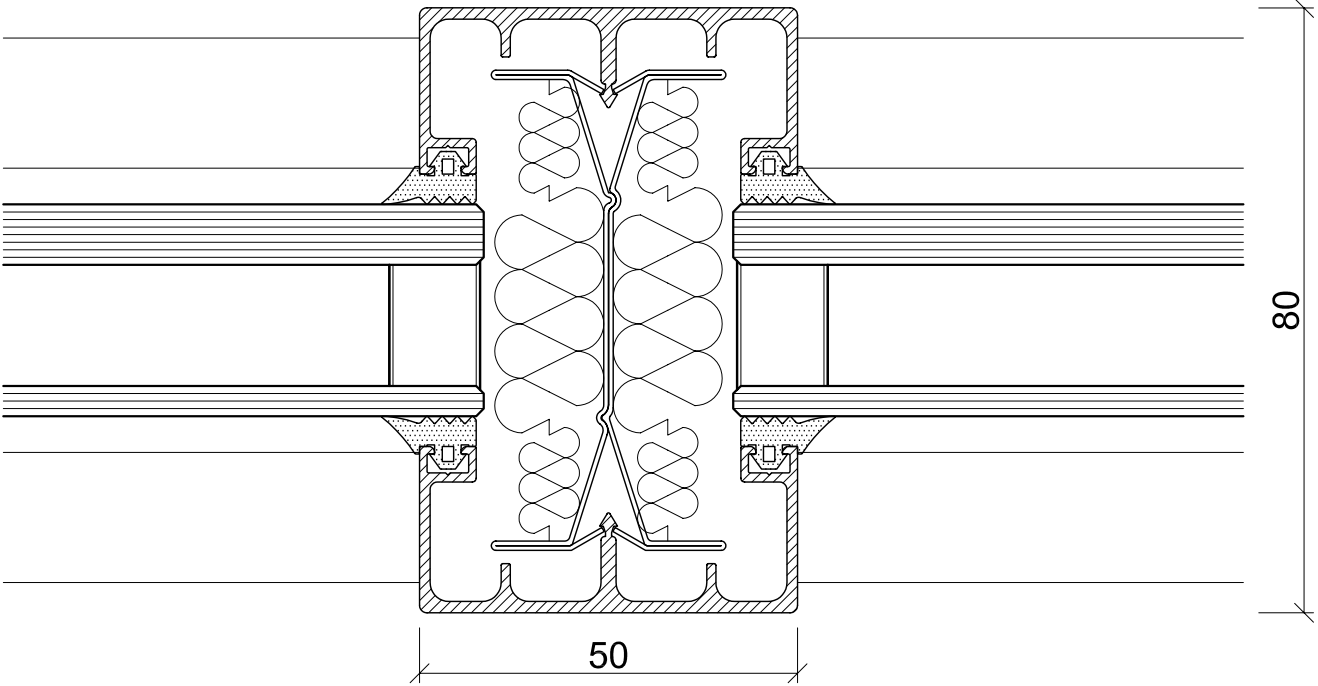
section C - C

scale ~1:3

FP-GG28-AN.1

Glass wall fecopur 28 mm

Horizontal section (post)
standard upright

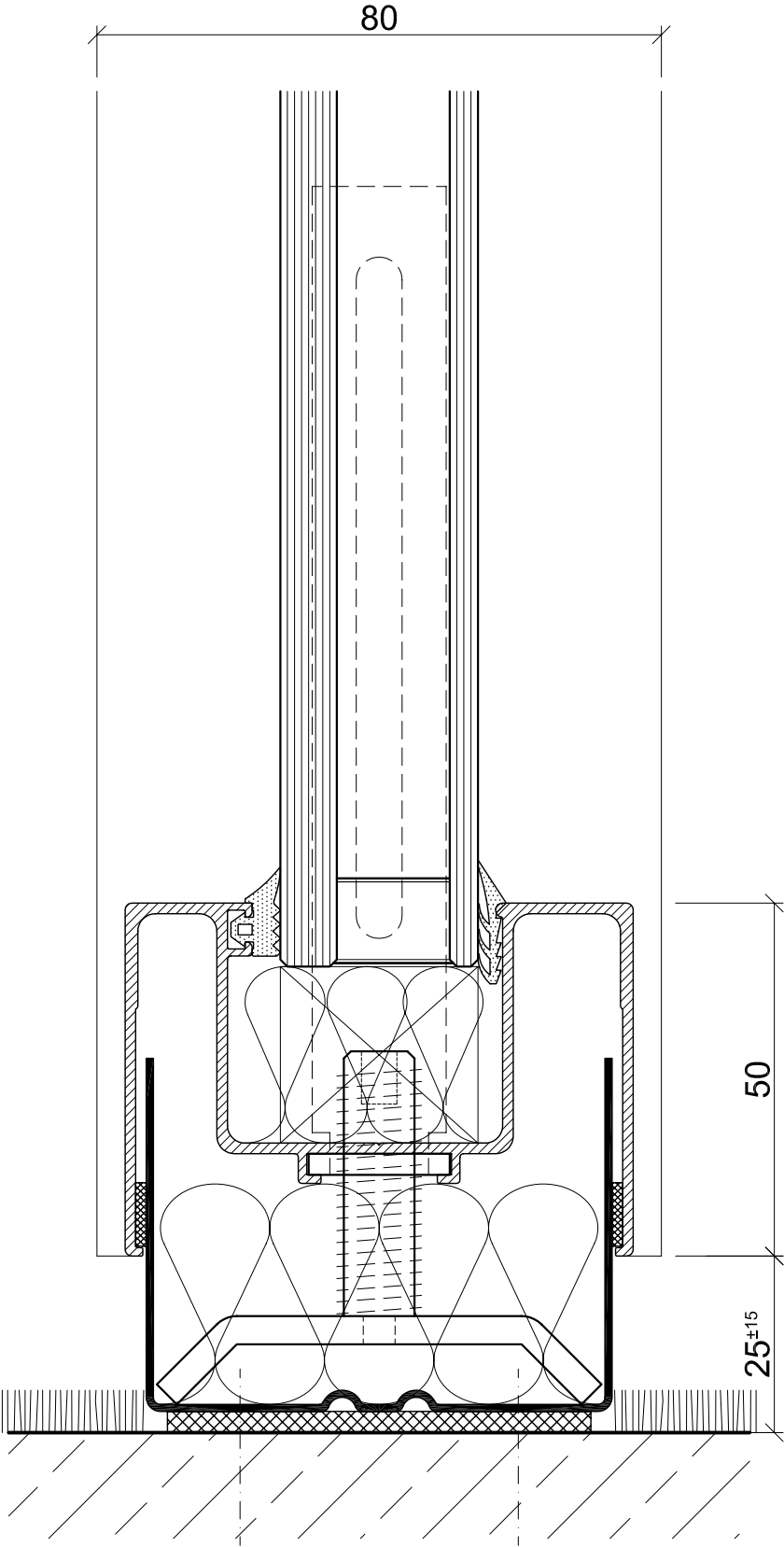


scale 1:1

FP-GG28-MF.1

Glass wall fecopur 28 mm

Bottom

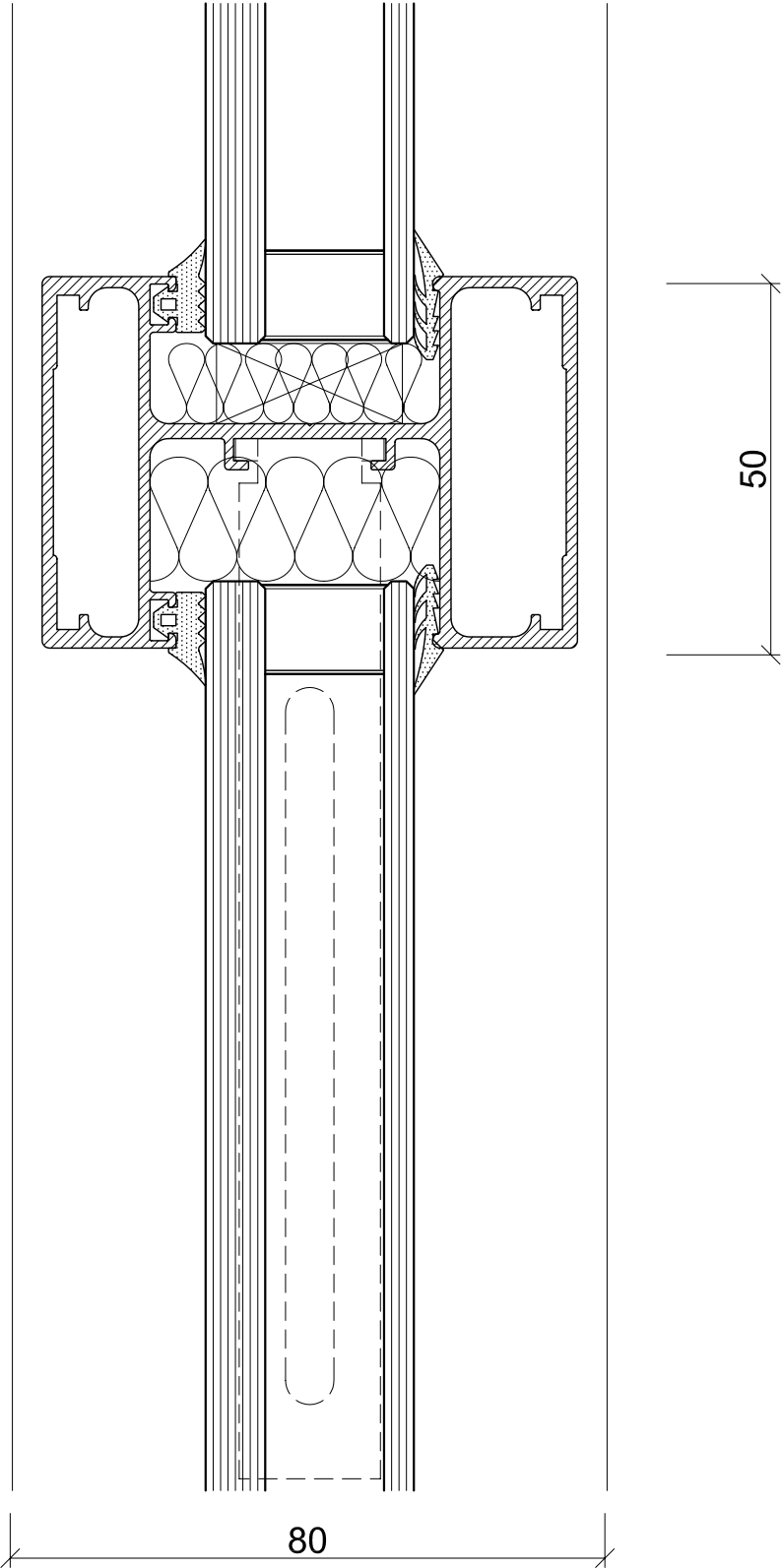


scale 1:1

FP-GG28-BA.1

Glass wall fecopur 28 mm

Vertical section (traverse)

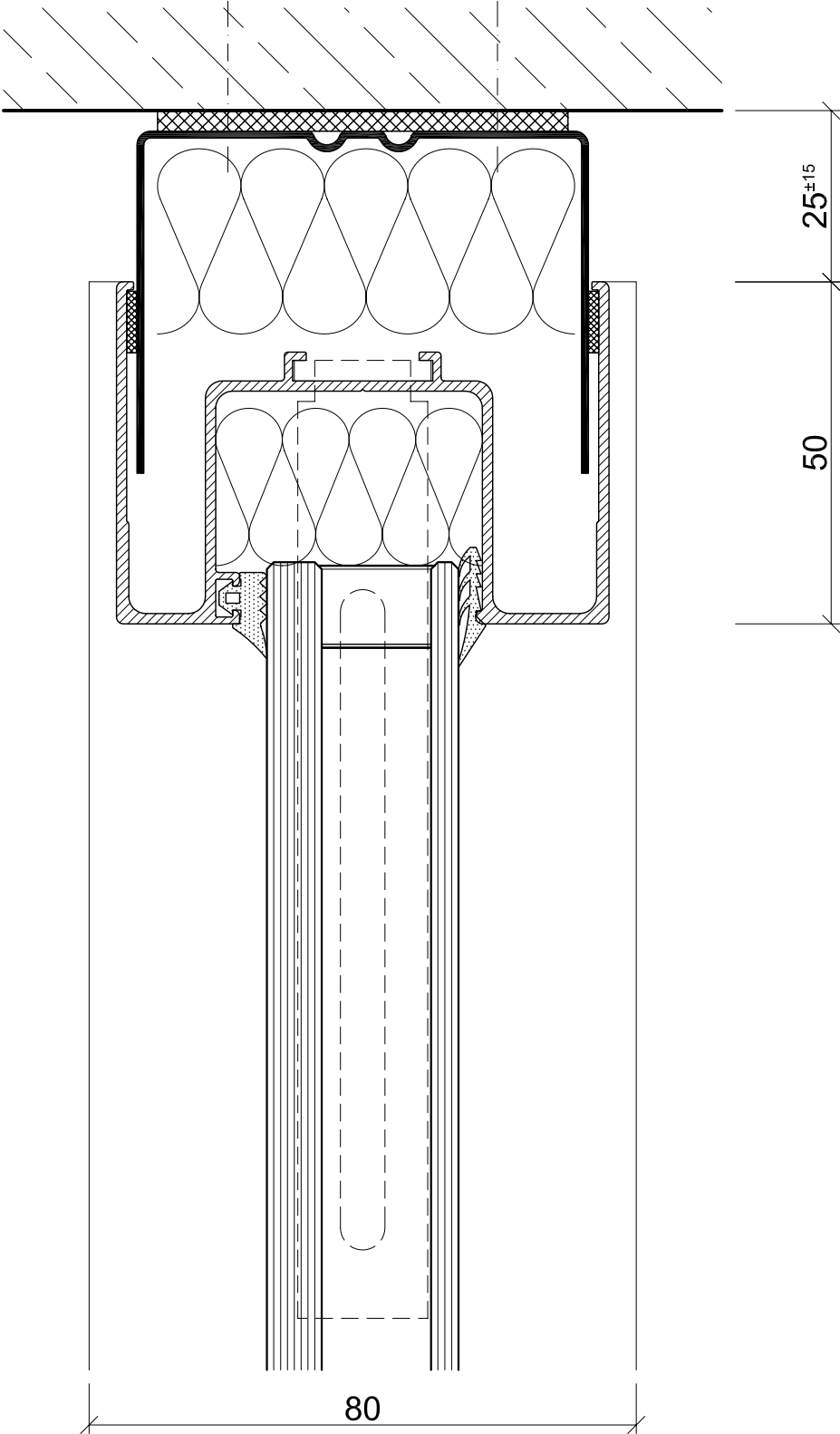


scale 1:1

FP-GG28-HF.1

Glass wall fecopur 28 mm

Top

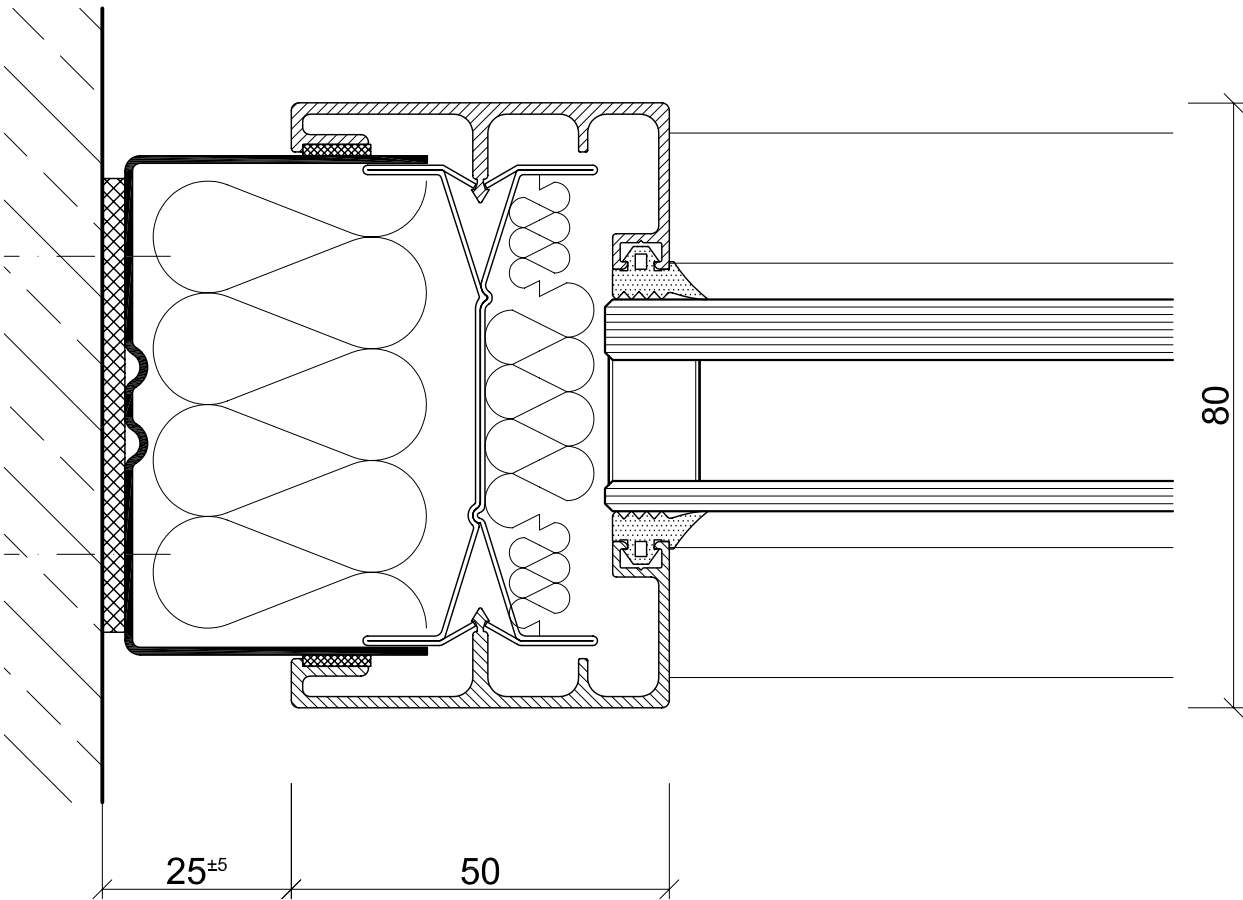


scale 1:1

FP-GG28-DA.1

Glass wall fecopur 28 mm

Wall abutment

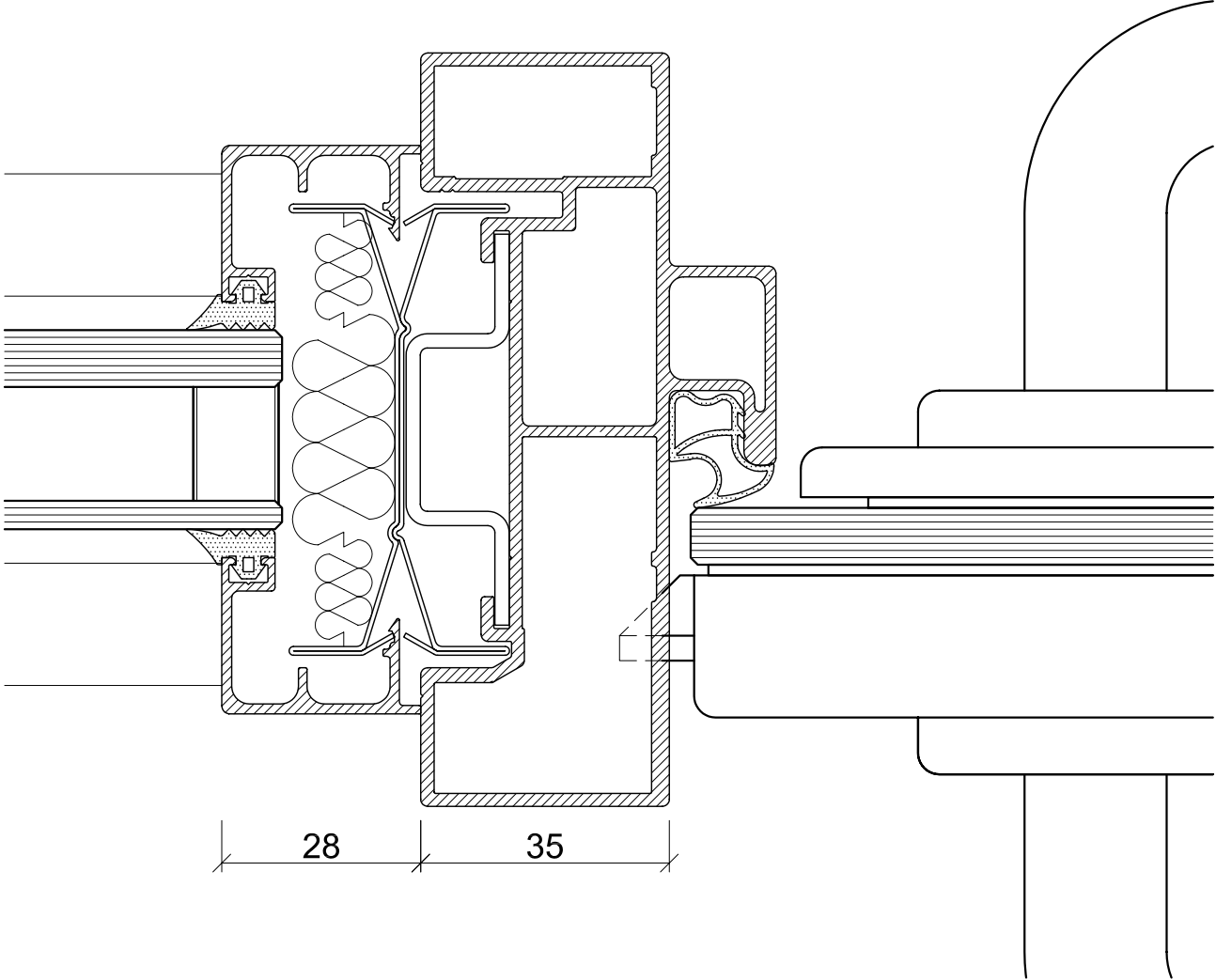


scale 1:1

FP-GG28-WA.1

Glass wall fecopur 28 mm

Connection to door unit (half post)

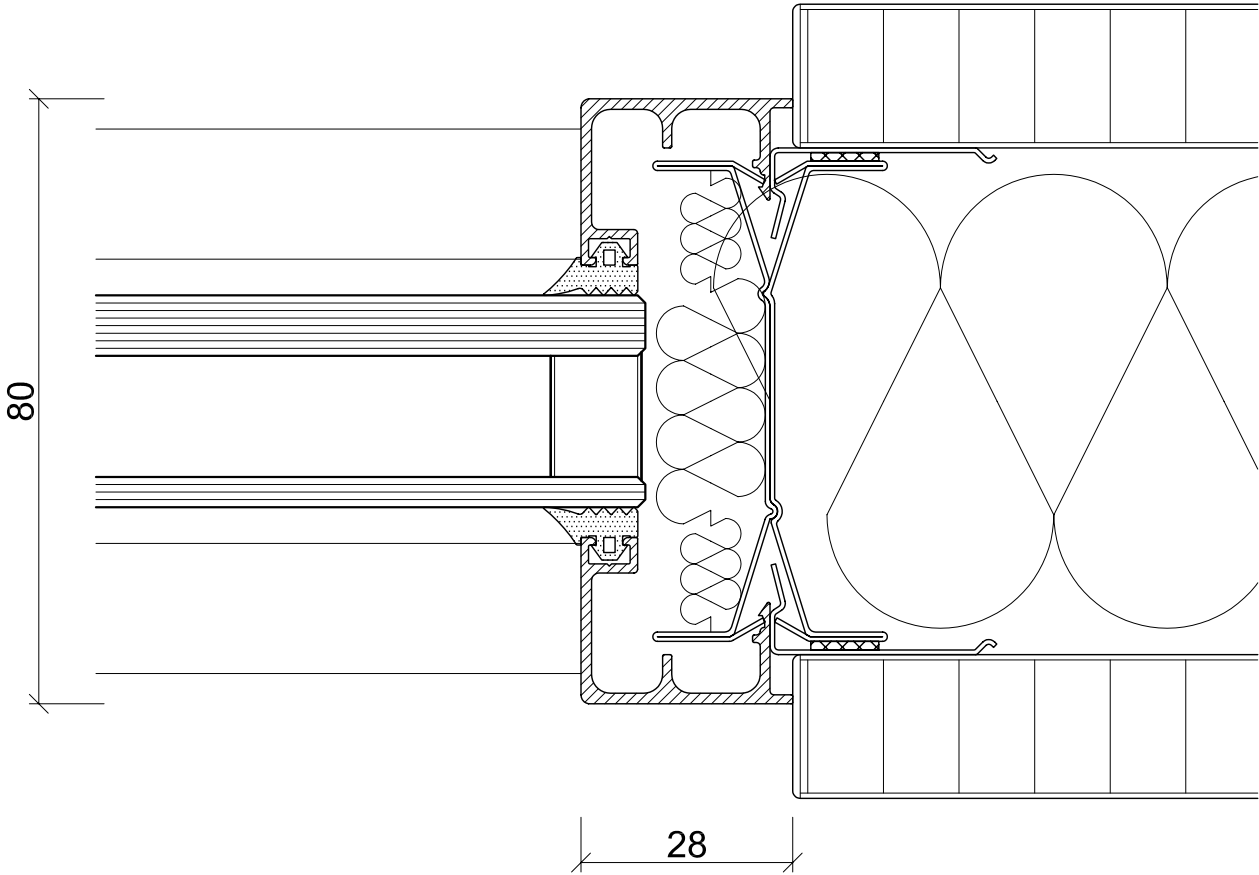


scale 1:1

FP-GG28-MF.2

Glass wall fecopur 28 mm

Connection to solid wall (half post)

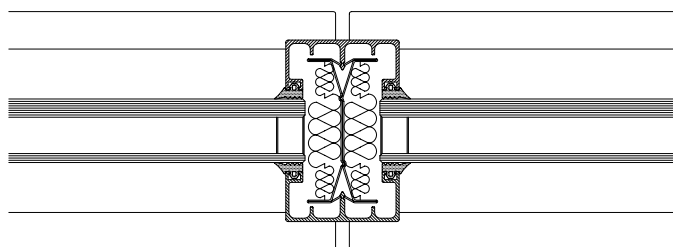
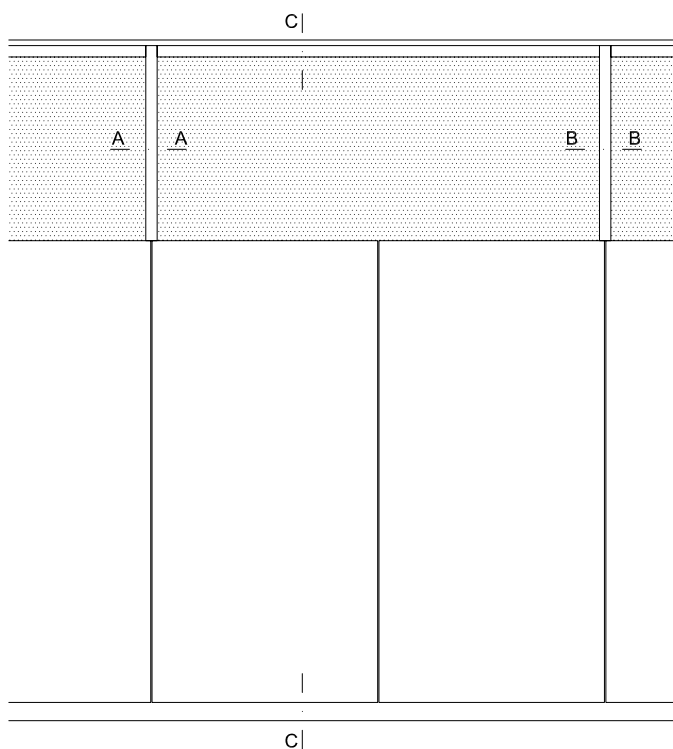


scale 1:1

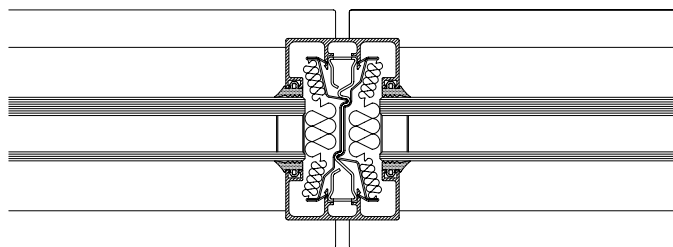
FP-GG28-MF.3

Top glazing fecopur 28 mm

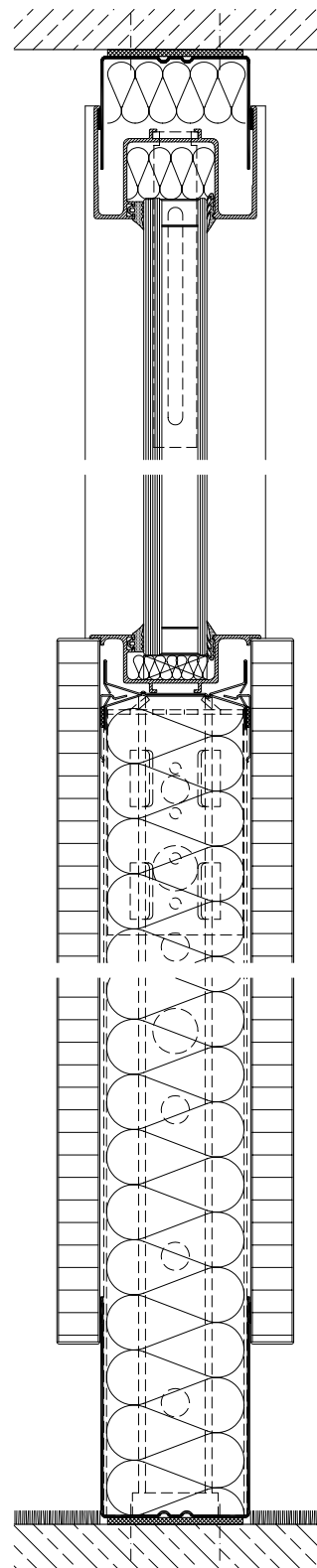
Posts- and traverses structure with insulation glass 28 mm
Width of post 50 mm, wall thickness 105/80 mm
with standard or slotted upright
Sound insulation $R_{w,P} = 40-45$ dB



section A - A
with standard upright



section B - B
with slotted upright



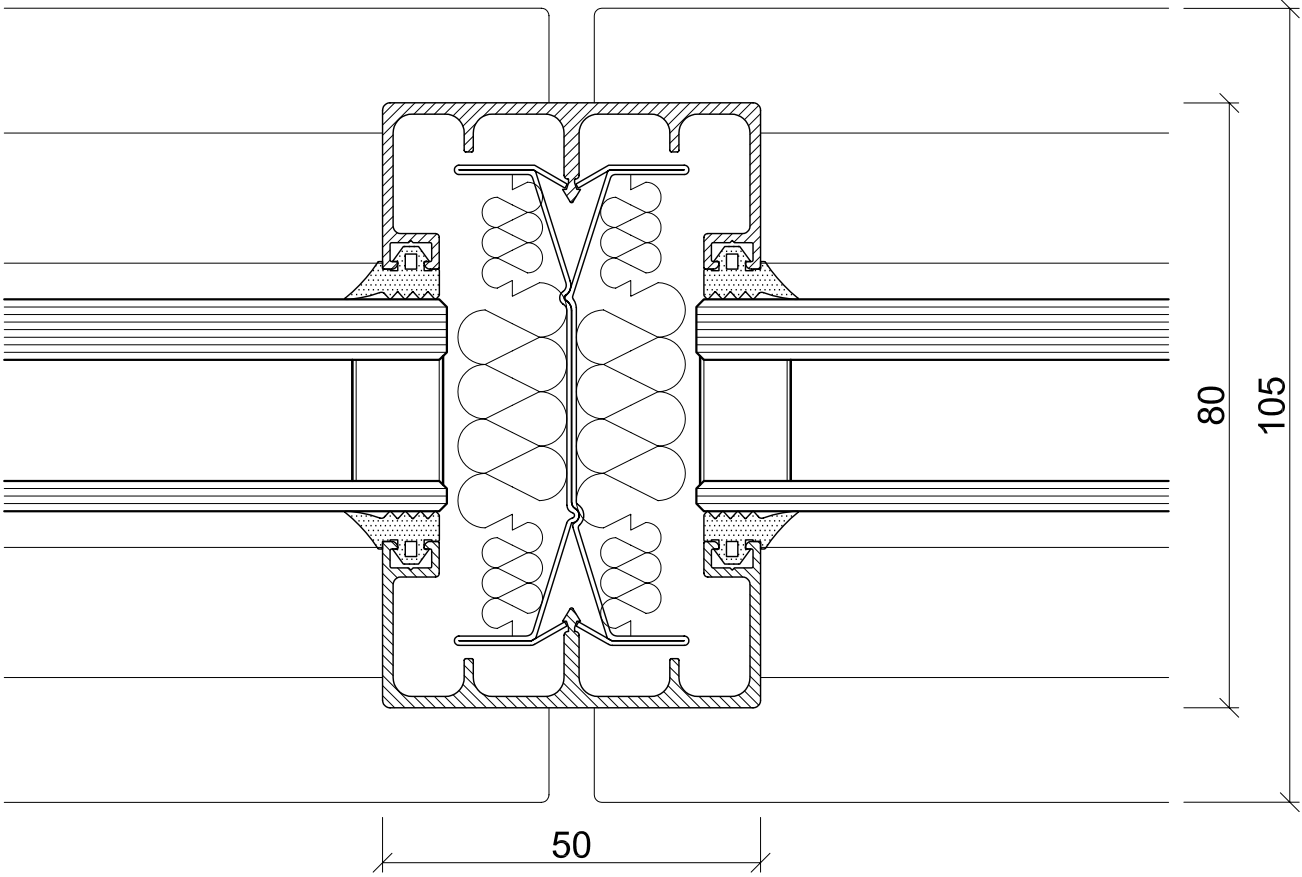
section C - C

scale ~1:3

FP-OL28-AN.1

Top glazing fecopur 28 mm

Horizontal section (post)
standard upright

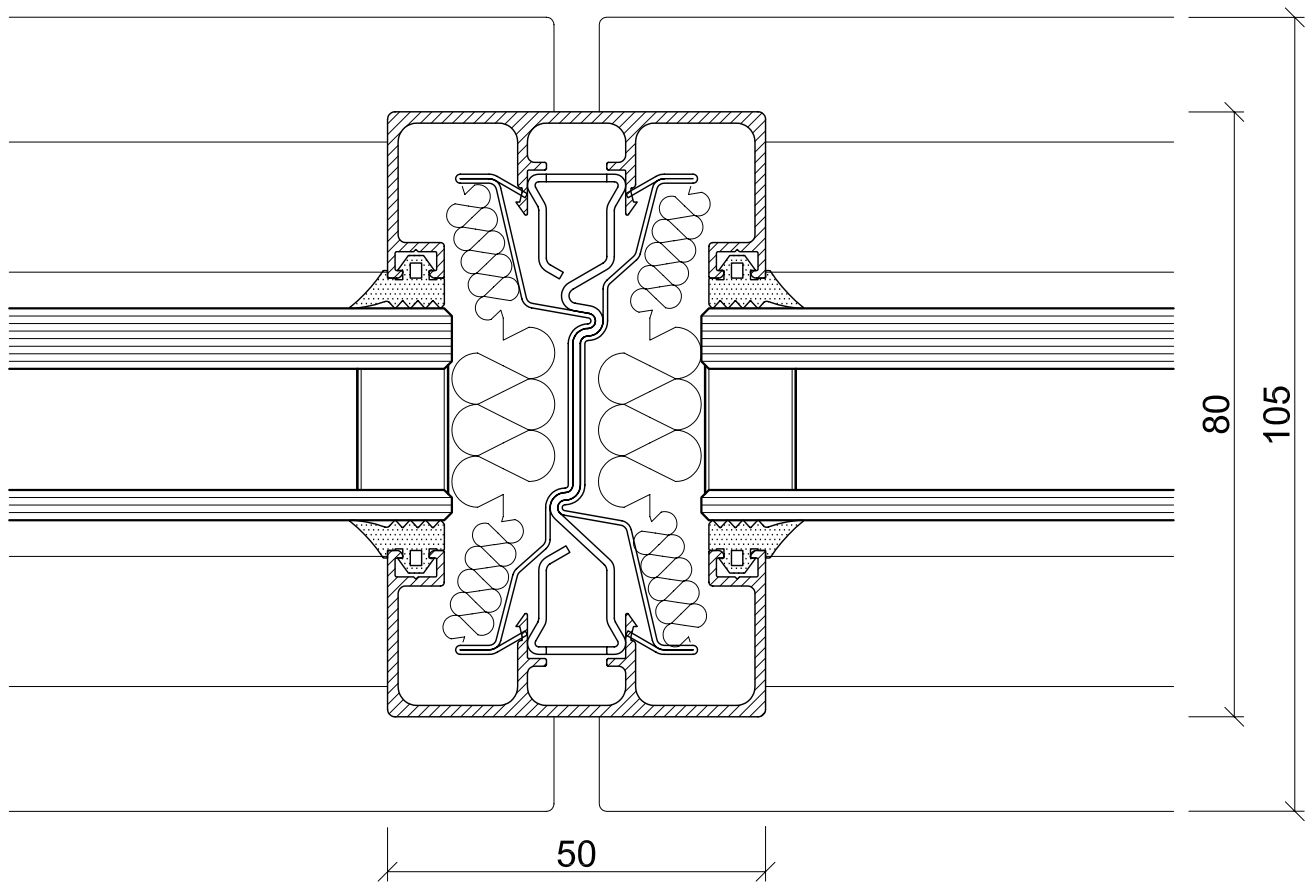


scale 1:1

FP-OL28-MF.1

Top glazing fecopur 28 mm

Horizontal section (post)
slotted upright

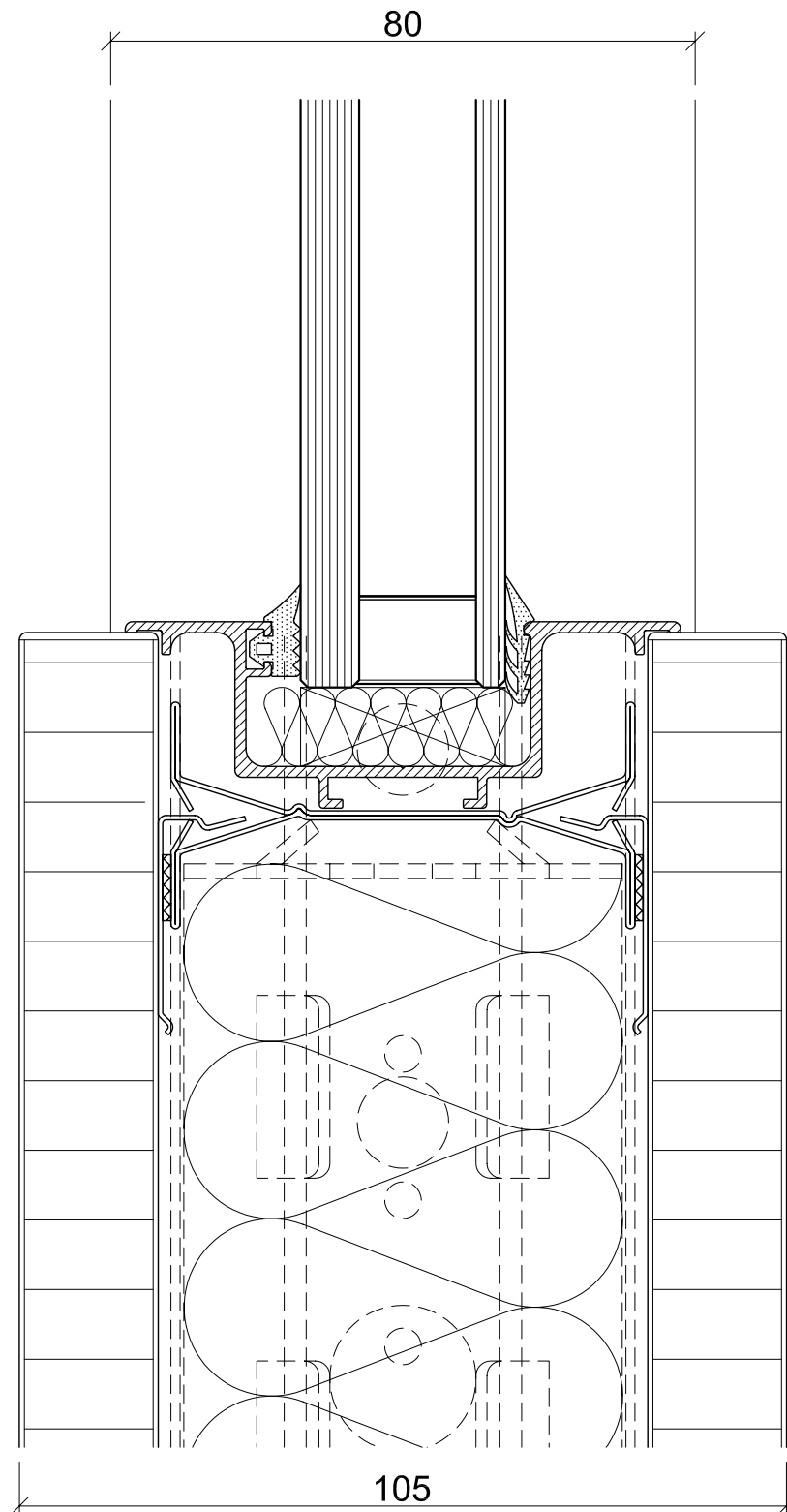


scale 1:1

FP-OL28-MF.2

Top glazing fecopur 28 mm

Vertical section

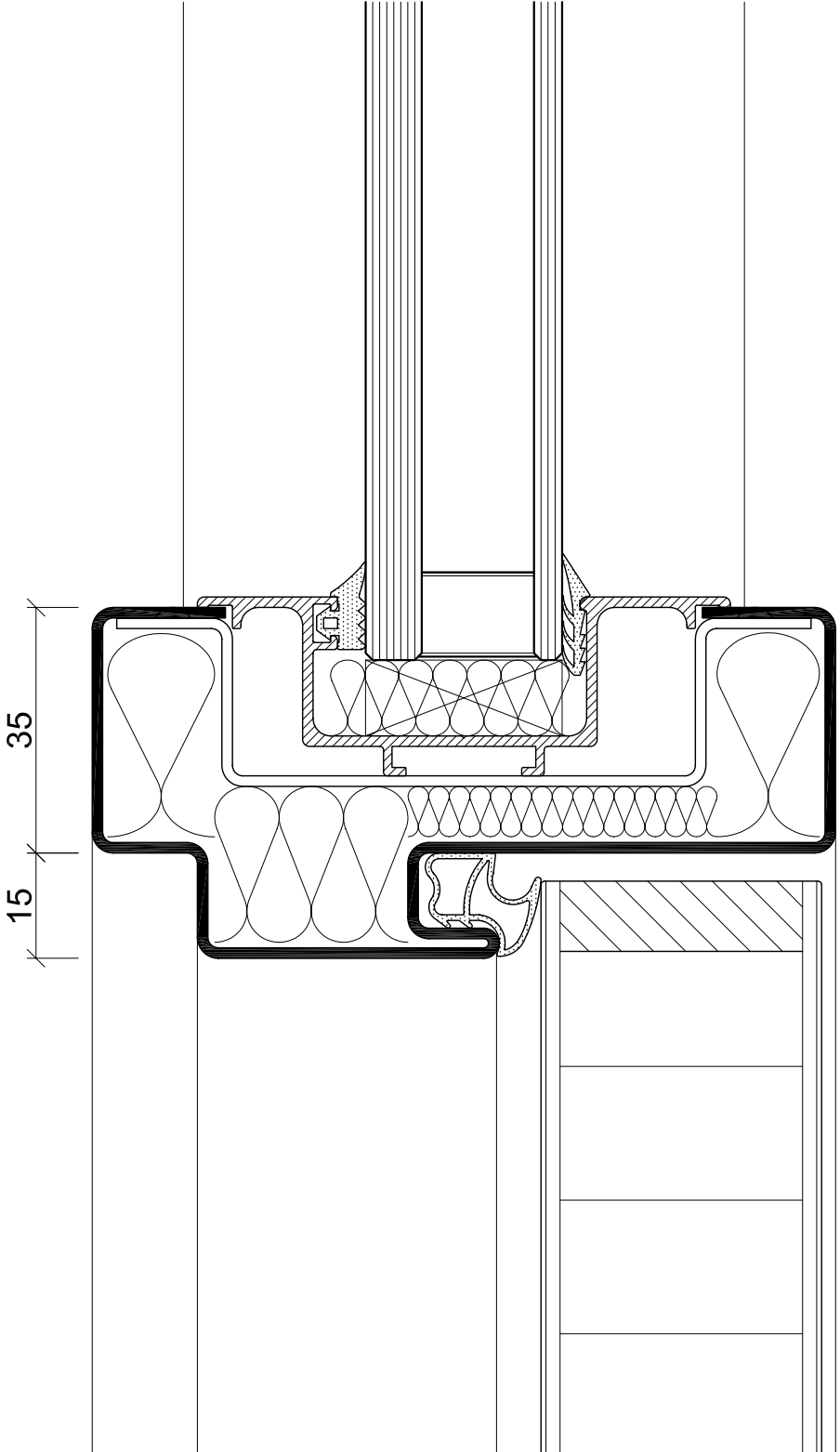


scale 1:1

FP-OL28-HF.1

Top glazing fecopur 28 mm

Door unit / top glazing
Steel door frame 35/35 mm

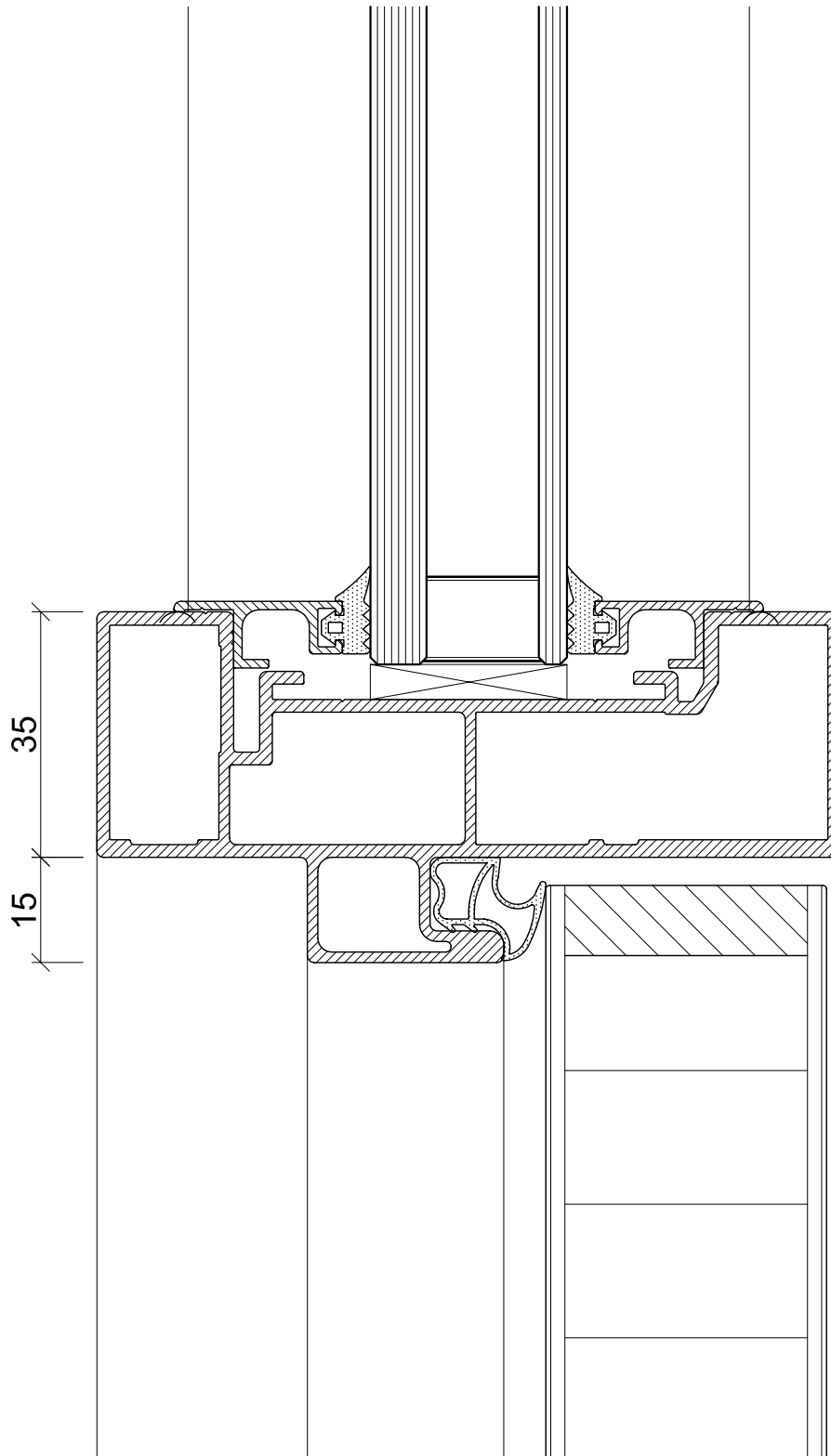


scale 1:1

FP-OL28-HF.2

Top glazing fecopur 28 mm

Door unit / top glazing
Aluminium door frame 35/35 mm



scale 1:1

FP-OL28-HF.3