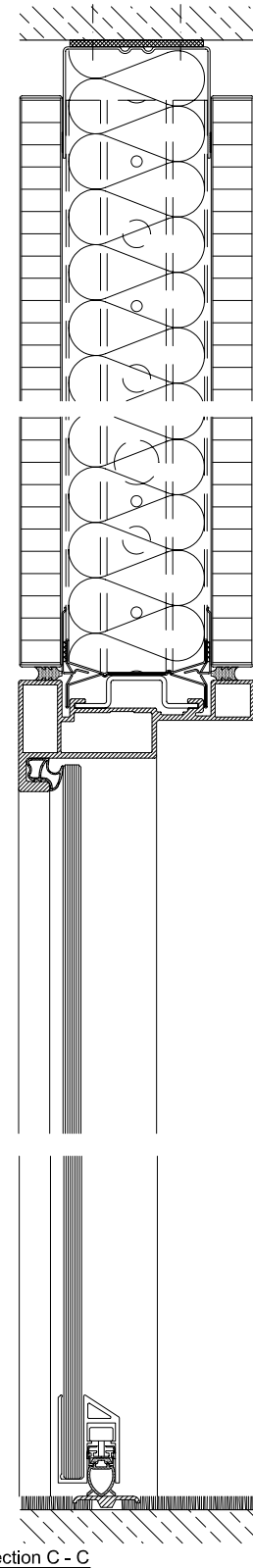
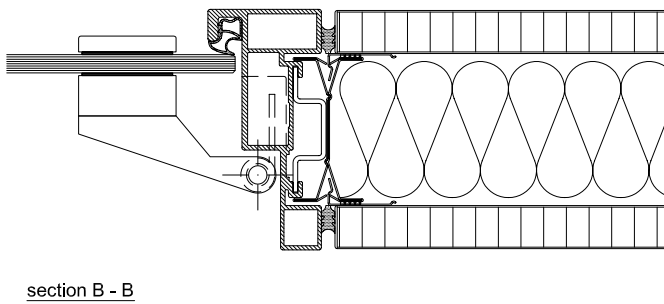
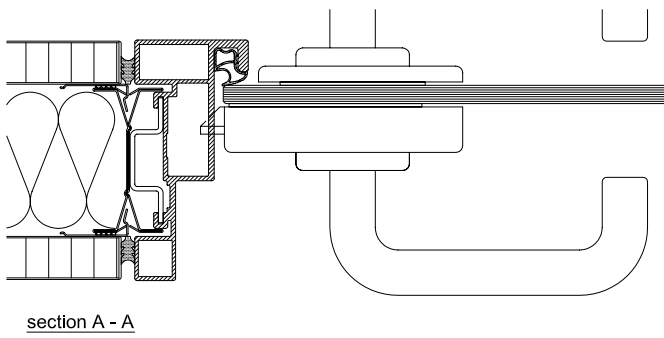
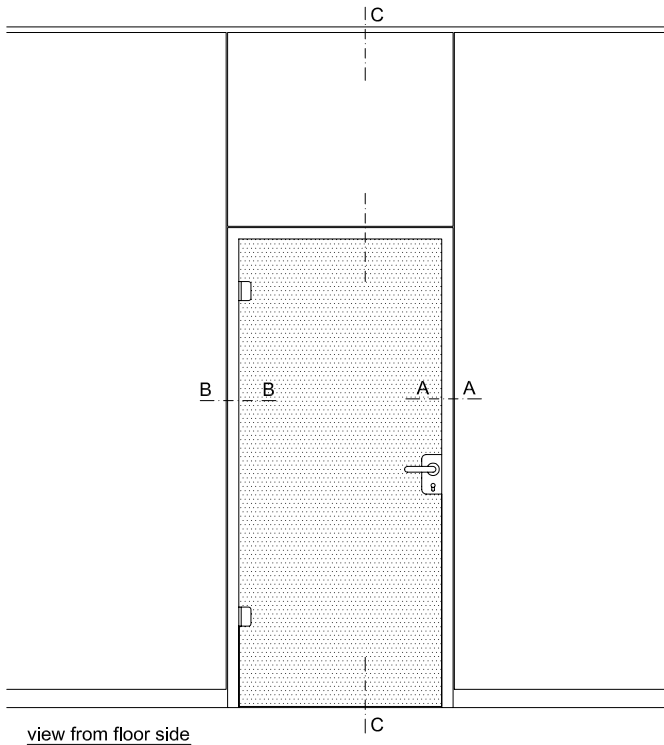


Door unit/full glass

With aluminium door frame 18/50 mm
Glass door leaf 8-10 mm tempered glass
Sound insulation $R_{w,P} = 22-32$ dB

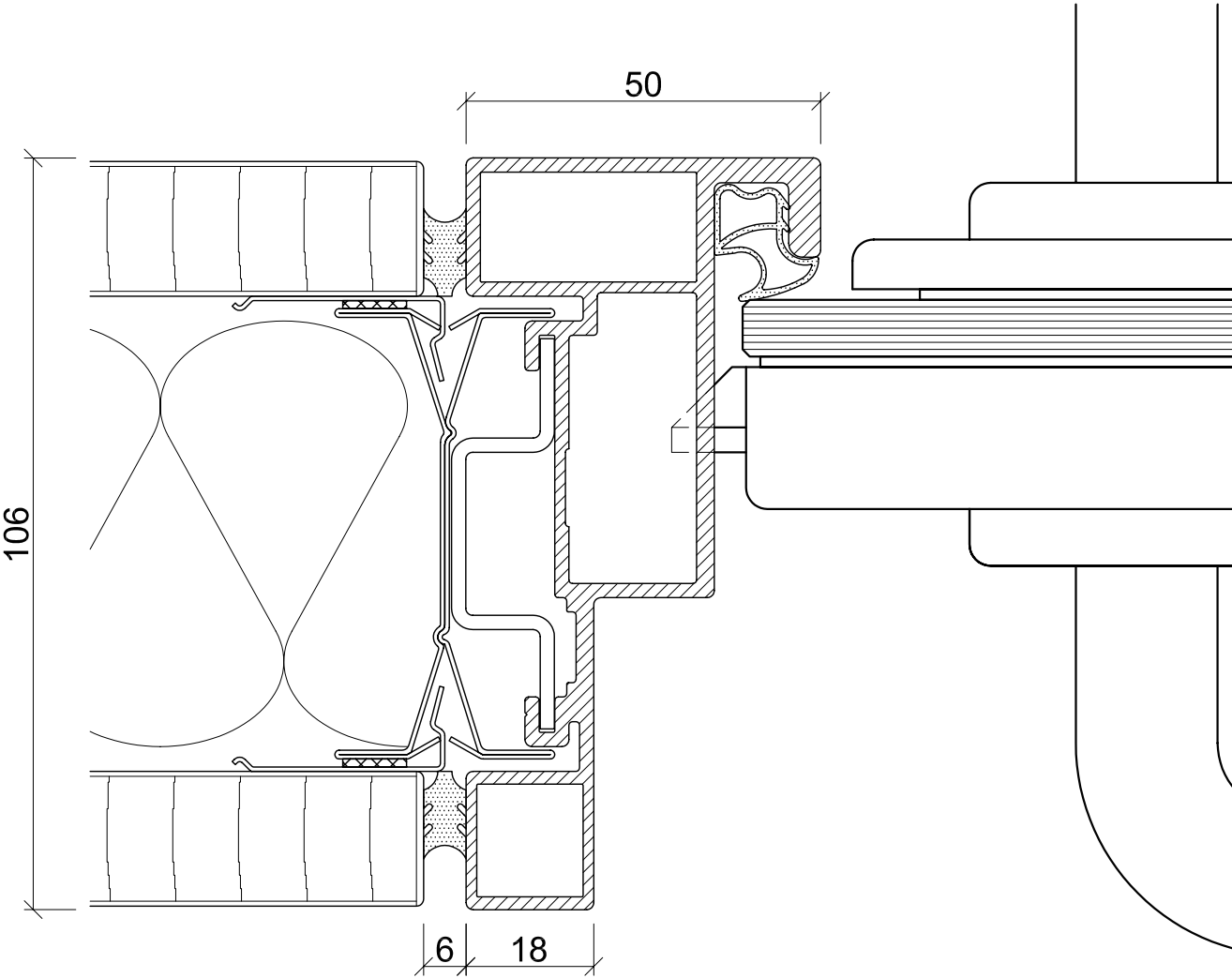


scale ~1:3

FT-A50-GG-AN.1

Door unit/full glass

Side of lock / solid wall

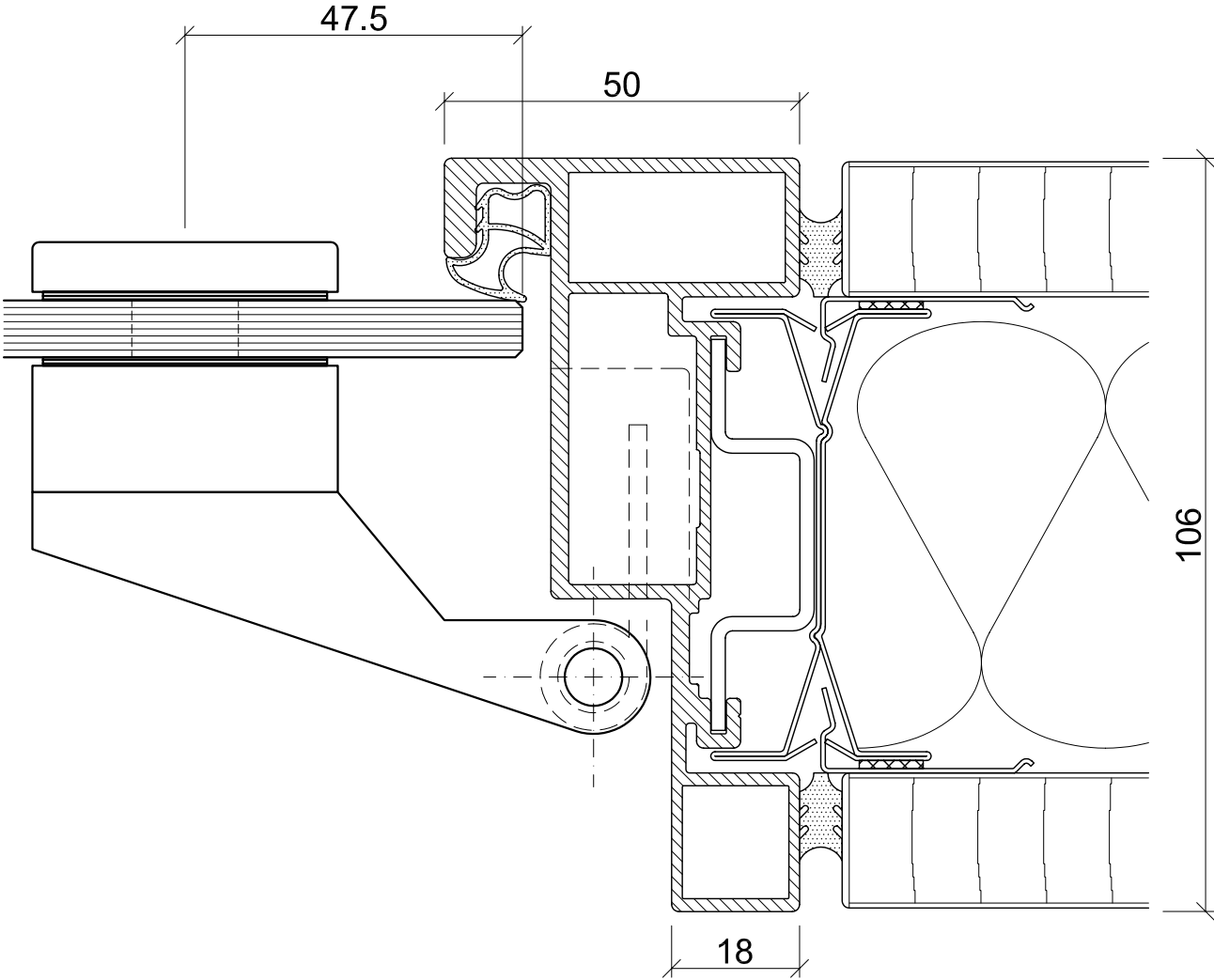


scale 1:1

FT-A50-GG-SS.1

Door unit/full glass

Side of hinges / solid wall

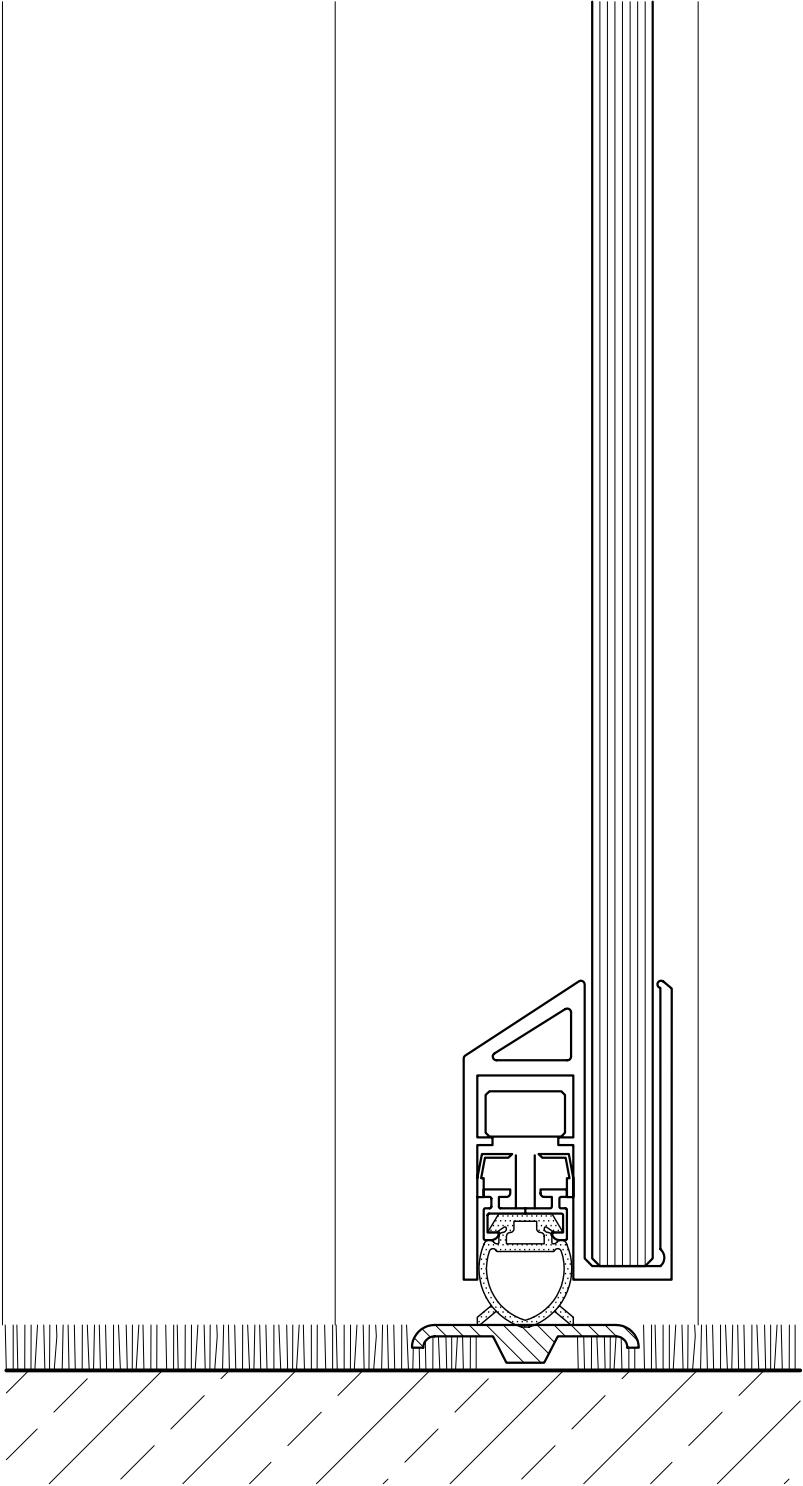


scale 1:1

FT-A50-GG-BS.1

Door unit/full glass

Bottom

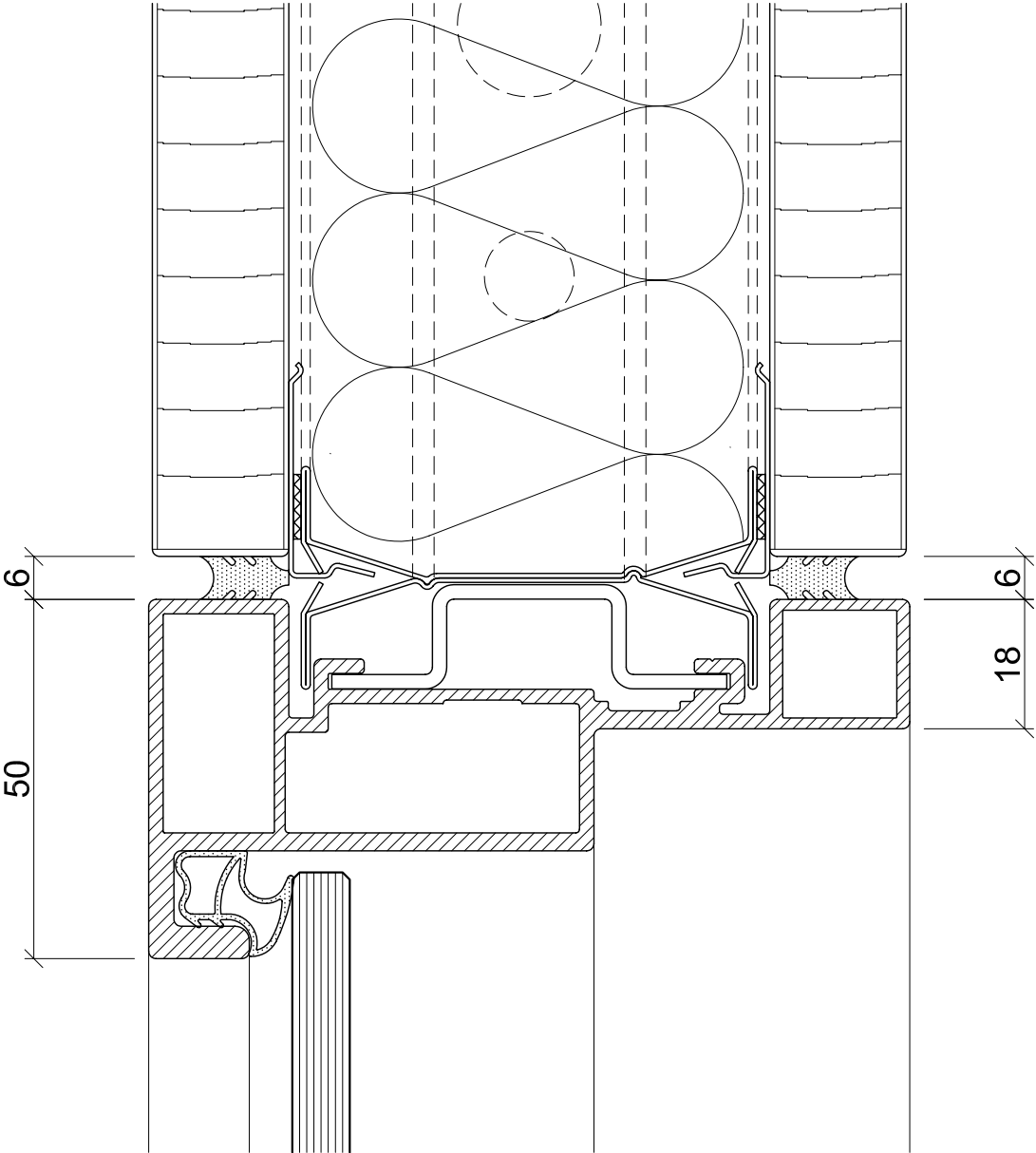


scale 1:1

FT-A50-GG-BA.1

Door unit/full glass

Horizontal joint



scale 1:1

FT-A50-GG-HF.1